

# THIDF-1000

## UNIT SPECIFICATIONS:

POWER SUPPLY: 460V/3PH/60Hz/15A  
 AIR DELIVERY: 7,800 CFM  
 BTU OUTPUT: 1,000,000  
 BTU INPUT: 1,250,000

## FUEL SUPPLY:

PROPANE: 10 PSI  
 NATURAL: 1/2 - 4 PSI  
 CONNECTION: 1-1/4" NPT

## DIMENSIONS:

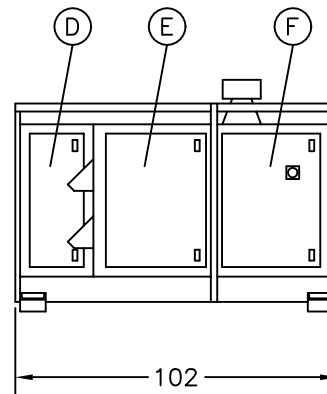
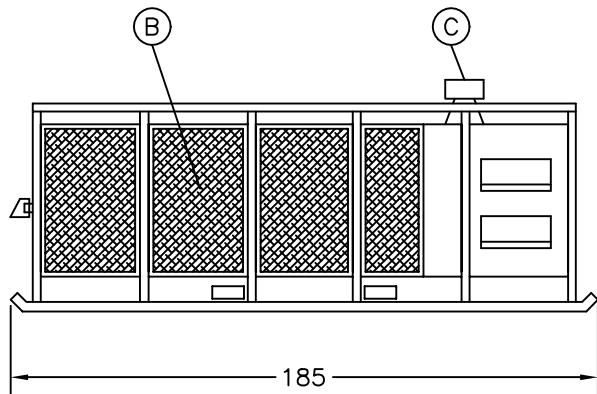
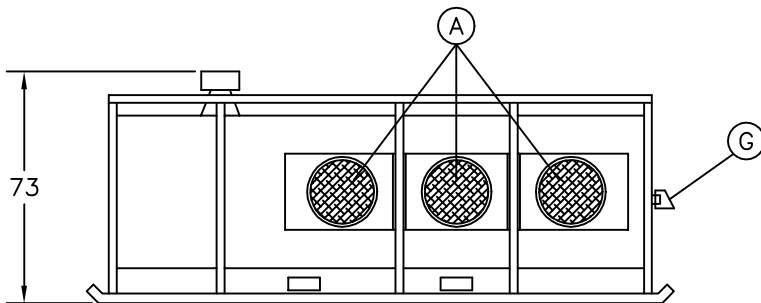
LENGTH (IN): 185  
 WIDTH (IN): 102  
 HEIGHT (IN): 73  
 WEIGHT (LBS): 4,832

## NOTES:

CONTACT TEMP-AIR FOR OTHER  
 GAS PRESSURES.

## UNIT COMPONENTS:

- (A) SUPPLY AIR
- (B) RETURN AIR
- (C) FLUE GAS EXHAUST
- (D) SERVICE ACCESS MOTOR
- (E) SERVICE ACCESS ELECTRICAL
- (F) CONTROL PANEL W/ SAFETY DISCONNECT
- (G) RELIEF VENT



DRAWN: ACJ	APPROVED: DLG	DRAWING NUMBER: THIDF1000
DATE: 04.25.02	DATE: 07.15.02	