

THIDF-700

UNIT SPECIFICATIONS:

POWER SUPPLY: 230V/1PH/60Hz/35A
 AIR DELIVERY: 8,000 CFM
 BTU INPUT: 700,000

FUEL SUPPLY:

PROPANE: 10 PSI
 NATURAL: 1/4 - 4 PSI
 CONNECTION: 1" NPT

DIMENSIONS:

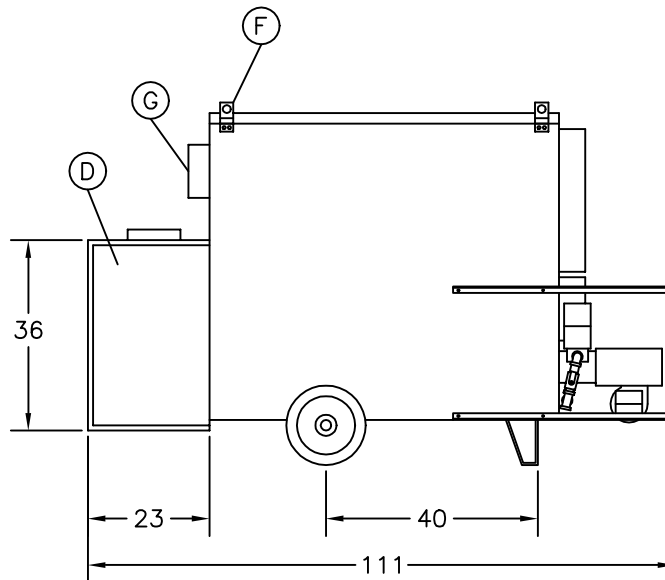
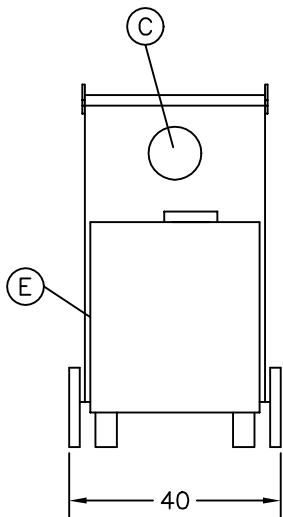
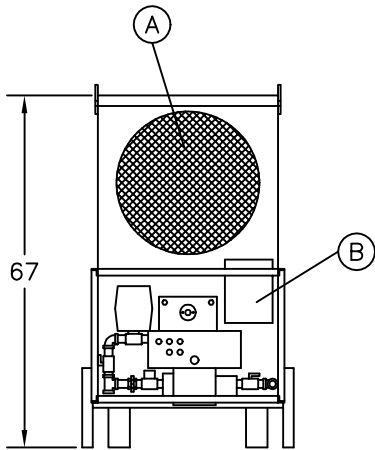
LENGTH (IN): 111
 WIDTH (IN): 40
 HEIGHT (IN): 67
 WEIGHT (LBS): 1,000

NOTES:

CONTACT TEMP-AIR FOR OTHER GAS PRESSURES.

UNIT COMPONENTS:

- (A) SUPPLY AIR $\phi 27"$
- (B) SERVICE ACCESS ELECTRICAL
- (C) FLUE GAS EXHAUST $\phi 10"$
- (D) RETURN AIR (ONE SIDE)
- (E) SERVICE ACCESS MOTOR/BLOWER/BEARINGS
- (F) LIFTING EYES
- (G) SAFETY DISCONNECT



DRAWN: ACJ	APPROVED: DLG	DRAWING NUMBER: THIDF700
DATE: 11.06.02	DATE: 11.06.02	