

STHP-1000

UNIT SPECIFICATIONS:

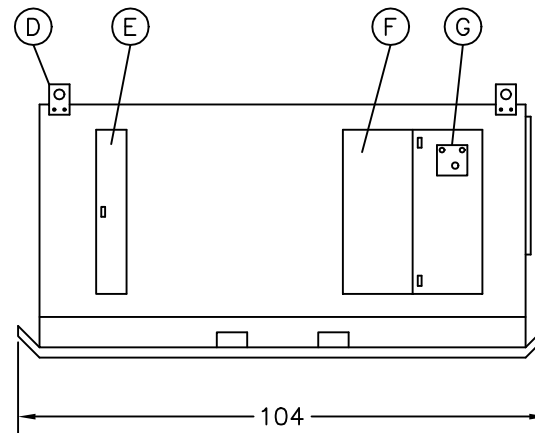
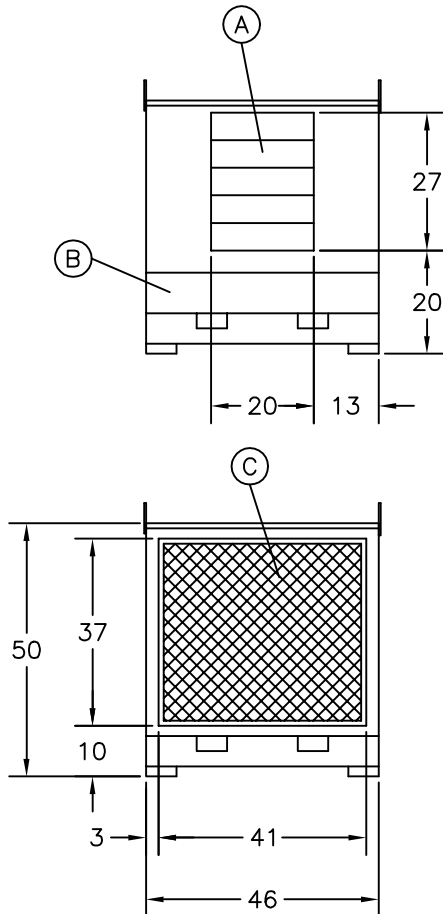
POWER SUPPLY: 230V/1PH/60Hz/35A
230V/3PH/60Hz/20A
460V/3PH/60Hz/10A
AIR DELIVERY: 6,000 CFM
BTU/HOUR: 944,000 @ 0°F
STEAM INLET
PRESSURE RANGE: 15-150 PSIG
MAX STEAM TEMP: 366°F
CONNECTIONS: 2 1/2" NPT

DIMENSIONS:

LENGTH (IN): 104
WIDTH (IN): 46
HEIGHT (IN): 50
WEIGHT (LBS): 2,000

UNIT COMPONENTS:

- (A) DISCHARGE DIFFUSER
- (B) SERVICE ACCESS MOTOR
- (C) INTAKE SCREEN
- (D) LIFTING EYES
- (E) SERVICE ACCESS COILS
- (F) SERVICE ACCESS ELECTRICAL/BLOWER
- (G) CONTROL PANEL W/ SAFETY DISCONNECT



DRAWN: ACJ	APPROVED: DLG	DRAWING NUMBER:
DATE: 07.22.02	DATE: 07.22.02	STHP1000