

STHP-500

UNIT SPECIFICATIONS:

POWER SUPPLY: 230V/1PH/60Hz/15MCA
208V-230V/3PH/60Hz/9MCA
460V/3PH/60Hz/5MCA

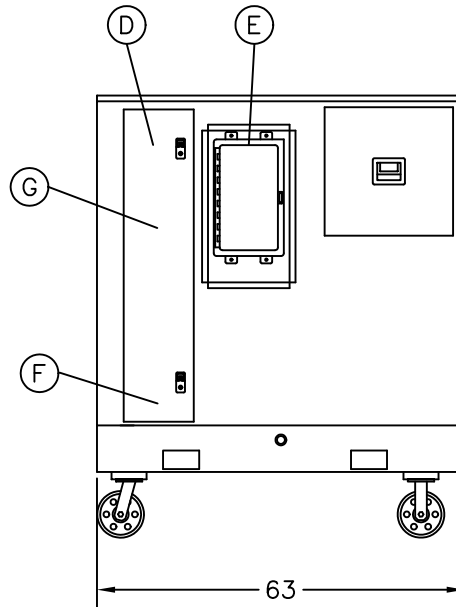
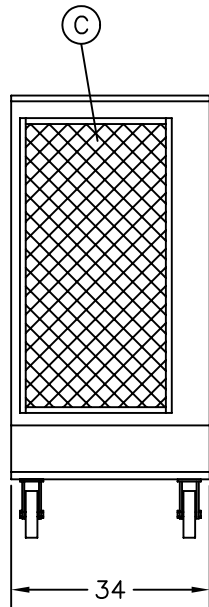
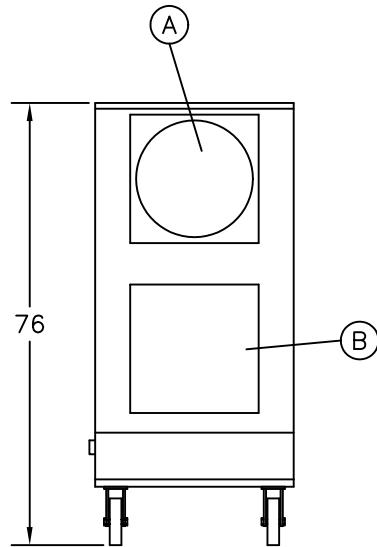
AIR DELIVERY: 4,000 CFM
MAX ESP (IN W.C.): 0.63 @ 4,000 CFM
RATING CONDITION: 55°F RA/15 PSIG STEAM

DIMENSIONS:

LENGTH (IN): 63
WIDTH (IN): 34
HEIGHT (IN): 76
WEIGHT (LBS): 1,375

UNIT COMPONENTS:

- (A) SUPPLY AIR ϕ 20
- (B) SERVICE ACCESS MOTOR
- (C) RETURN AIR
- (D) SERVICE ACCESS COIL
- (E) SERVICE ACCESS ELECTRICAL
- (F) CONDENSATE DRAIN CONNECTION
- (G) STEAM CONNECTIONS 2" NPT



DRAWN: ACJ	APPROVED: DLG	DRAWING NUMBER:
DATE: 02.07.02	DATE: 11.11.03	STHP500