

# TAH-150

UNIT SPECIFICATIONS:

POWER SUPPLY: 208V/3PH/60Hz/100MCA  
 230V/3PH/60Hz/90MCA  
 460V/3PH/60Hz/45MCA

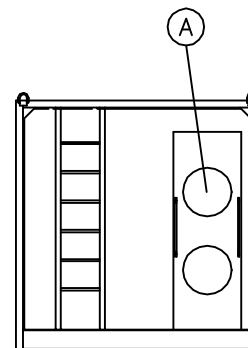
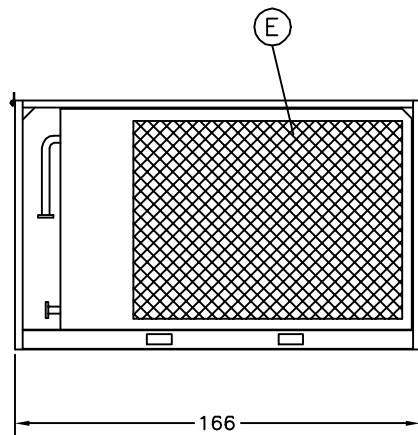
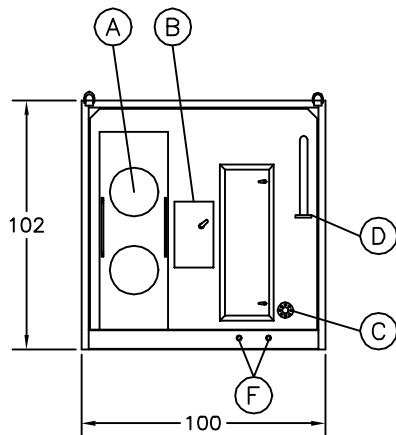
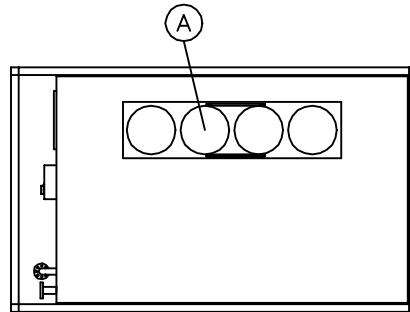
AIR DELIVERY: 30,000 CFM  
 MAX ESP (IN W.C.): 0.50 @ 30,000 CFM  
 DRAIN CONNECTION: 1" NPT

DIMENSIONS:

LENGTH (IN): 166  
 WIDTH (IN): 100  
 HEIGHT (IN): 102  
 WEIGHT (LBS): 7,900

UNIT COMPONENTS:

- (A) SUPPLY AIR  $\phi$ 20
- (B) SAFETY DISCONNECT
- (C) SUPPLY CONNECTION  $\phi$ 4" 150#
- (D) RETURN CONNECTION  $\phi$ 4" 150#
- (E) RETURN AIR
- (F) CONDENSATE DRAIN CONNECTION



<b>TEMPAIR</b> <small>DIVISION OF RUPP INDUSTRIES, INC.</small>		
DRAWN: ACJ	APPROVED: DLG	DRAWING NUMBER:
DATE: 07.02.02	DATE: 07.03.02	TAH150