

STHP-2000

UNIT SPECIFICATIONS:

POWER SUPPLY: 230V/3PH/60Hz/25A
 460V/3PH/60Hz/15A
 AIR DELIVERY: 11,000 CFM
 BTU STEAM: 2,038,000 @ 0°F
 STEAM INLET
 PRESSURE RANGE: 15-150 PSIG
 MAX STEAM TEMP: 366°F
 CONNECTIONS: 2 1/2" NPT

DIMENSIONS:

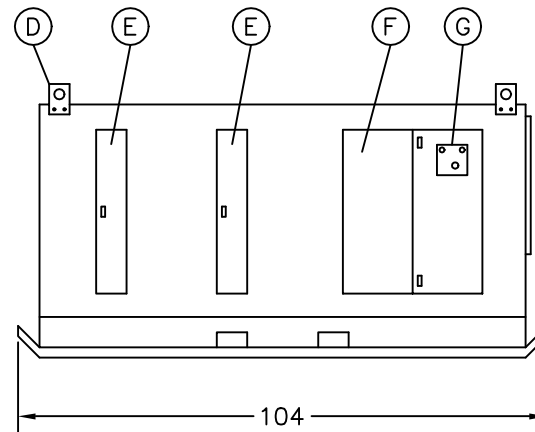
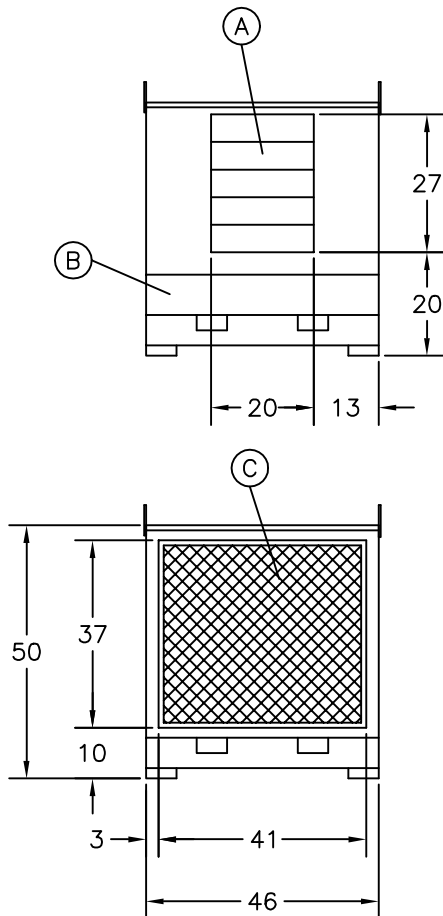
LENGTH (IN): 104
 WIDTH (IN): 46
 HEIGHT (IN): 50
 WEIGHT (LBS): 2,000

NOTES:

CONTACT TEMP-AIR FOR PRESSURES ABOVE 150 PSI.

UNIT COMPONENTS:

- (A) DISCHARGE DIFFUSER
- (B) SERVICE ACCESS MOTOR
- (C) INTAKE SCREEN
- (D) LIFTING EYES
- (E) SERVICE ACCESS COILS
- (F) SERVICE ACCESS ELECTRICAL/BLOWER
- (G) CONTROL PANEL W/ SAFETY DISCONNECT



DRAWN: ACJ	APPROVED: DLG	DRAWING NUMBER: STHP2000
DATE: 07.22.02	DATE: 07.22.02	