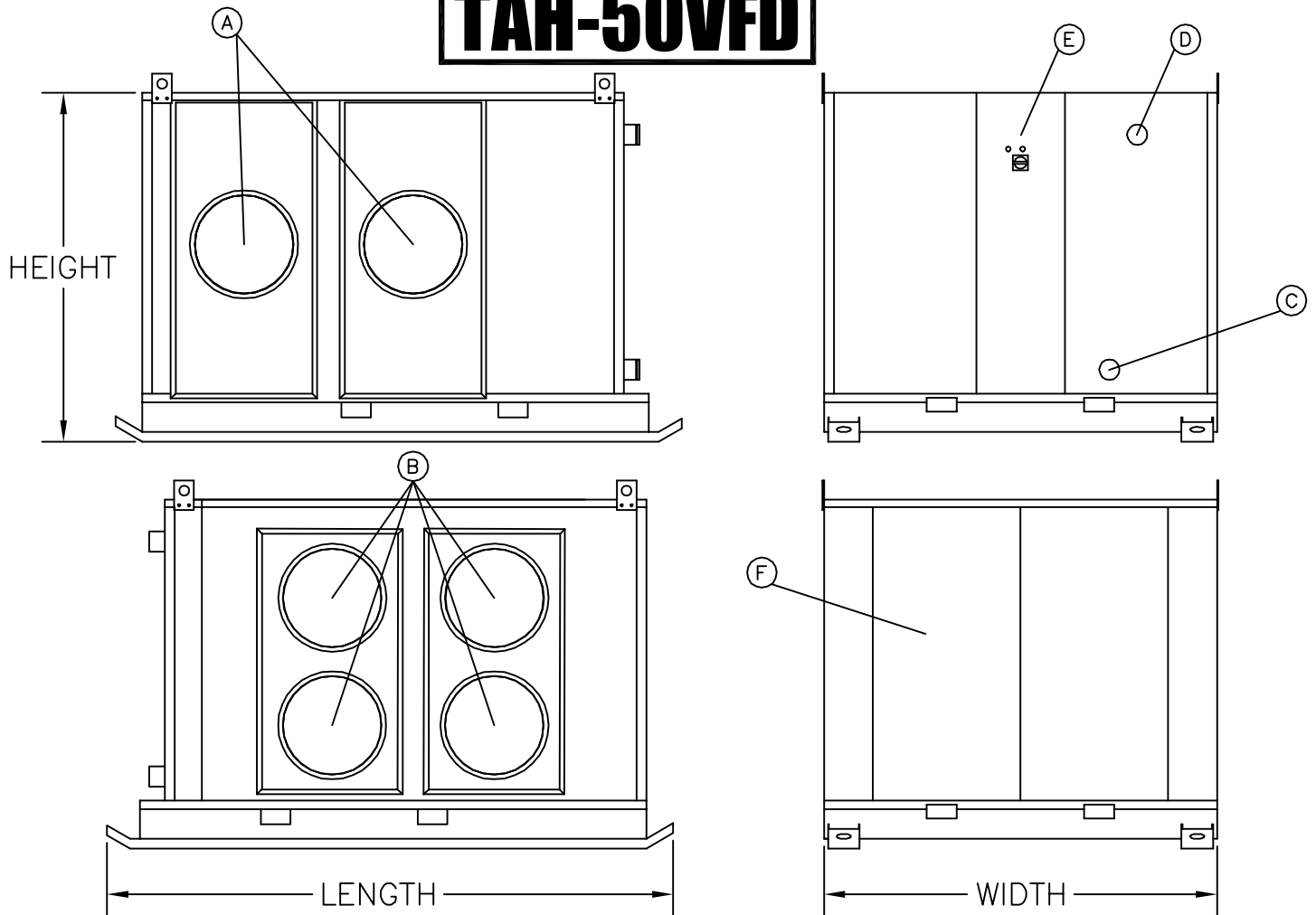


TEMPAIR®

HVAC RENTAL SOLUTIONS

TAH-50VFD



UNIT SPECIFICATIONS:

POWER SUPPLY: 460V/3PH/60Hz/30A
 AIR DELIVERY: 12,000 CFM
 MAX ESP (IN W.C.): 5 @ 12,000 CFM
 DRAIN CONNECTION: 1" NPT
 RATING CONDITIONS: 80°F DB/ 67°F WB
 WATER CONNECTIONS: 2 1/2" VICTAULIC

DIMENSIONS:

LENGTH: 115"
 WIDTH: 80"
 HEIGHT: 71"
 WEIGHT: 2,600 lb (EST)

- Ⓐ SUPPLY AIR 20" dia
- Ⓑ INLET AIR 20" dia
- Ⓒ COIL SUPPLY CONNECTION
- Ⓓ COIL RETURN CONNECTION
- Ⓔ SERVICE ACCESS ELECTRICAL
- Ⓕ AIR FILTER ACCESS DOOR

DRAWN: PAB	UPDATED: JH
DATE: 01/09/17	DATE: 03/29/17