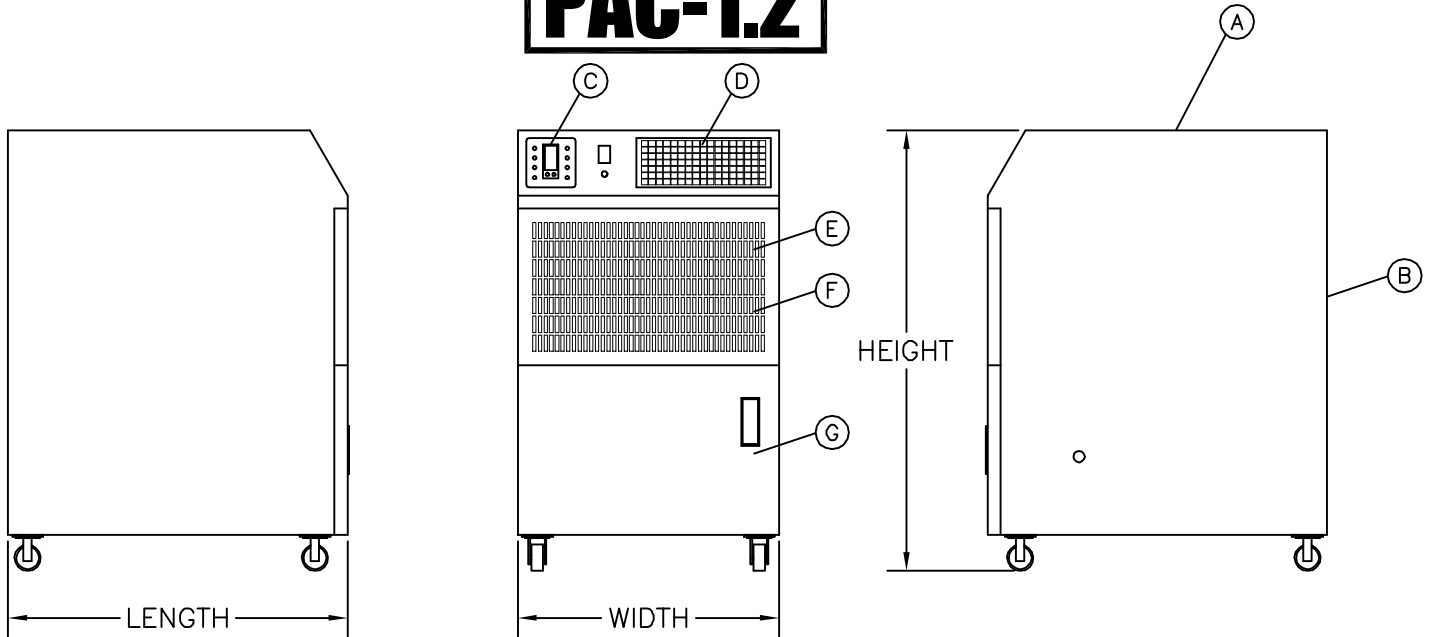




TEMPAIR®

HVAC RENTAL SOLUTIONS

PAC-1.2



UNIT SPECIFICATIONS:

POWER SUPPLY: 115V/1PH/60HZ/15A
AIR DELIVERY: 350 CFM
CONDENSATE TANK: 5 GALLON

- (A) CONDENSER EXHAUST
- (B) CONDENSER INLET
- (C) THERMOSTAT
- (D) SUPPLY AIR
- (E) RETURN AIR
- (F) SERVICE ACCESS, FILTER
- (G) SERVICE ACCESS, CONDENSATE TANK

DIMENSIONS:

LENGTH: 26"
WIDTH: 20"
HEIGHT: 34"
WEIGHT: 170 lb

DRAWN: ACJ	UPDATED: JH
DATE: 02/06/02	DATE: 02/15/17