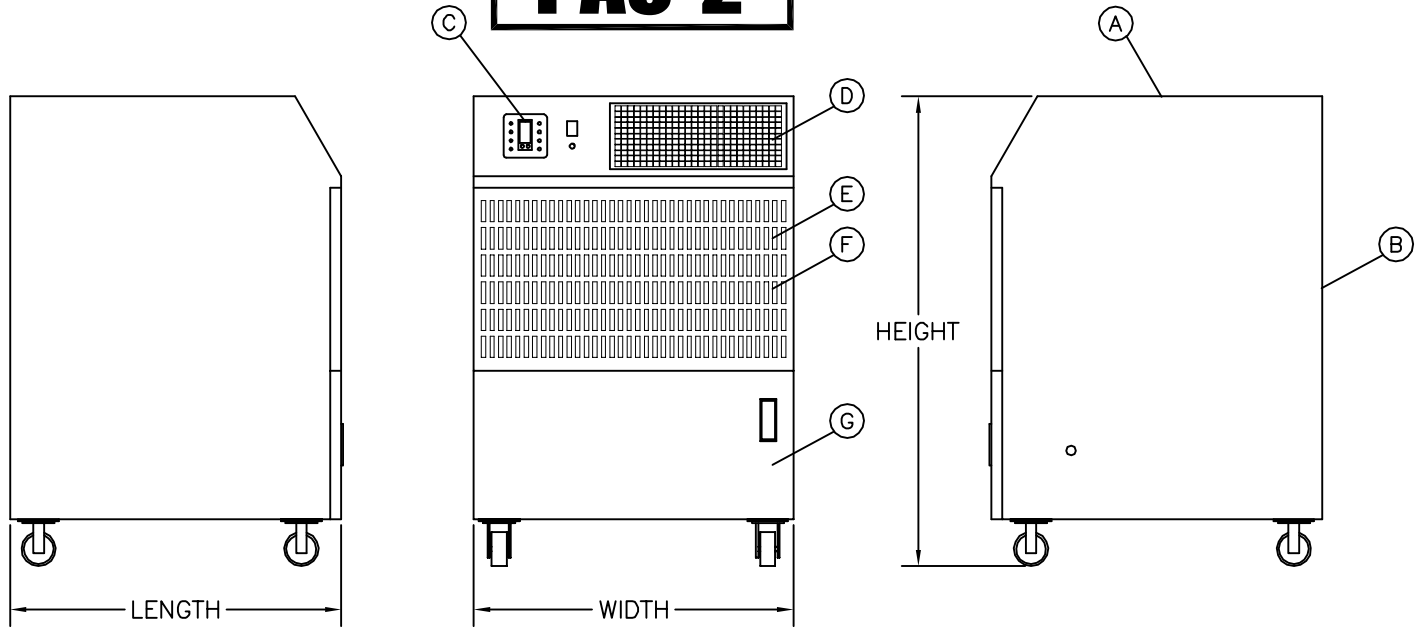


TEMPAIR®

HVAC RENTAL SOLUTIONS

PAC-2



UNIT SPECIFICATIONS:

POWER SUPPLY: 208-230V/1PH/60HZ/20A
 AIR DELIVERY: 750 CFM
 CONDENSATE TANK: 5 GALLON

- Ⓐ CONDENSER EXHAUST
- Ⓑ CONDENSER INLET
- Ⓒ THERMOSTAT
- Ⓓ SUPPLY AIR
- Ⓔ RETURN AIR
- Ⓕ SERVICE ACCESS, FILTER
- Ⓖ SERVICE ACCESS, CONDENSATE TANK

DIMENSIONS:

LENGTH: 29"
 WIDTH: 28"
 HEIGHT: 41"
 WEIGHT: 305 lb