

ESTD

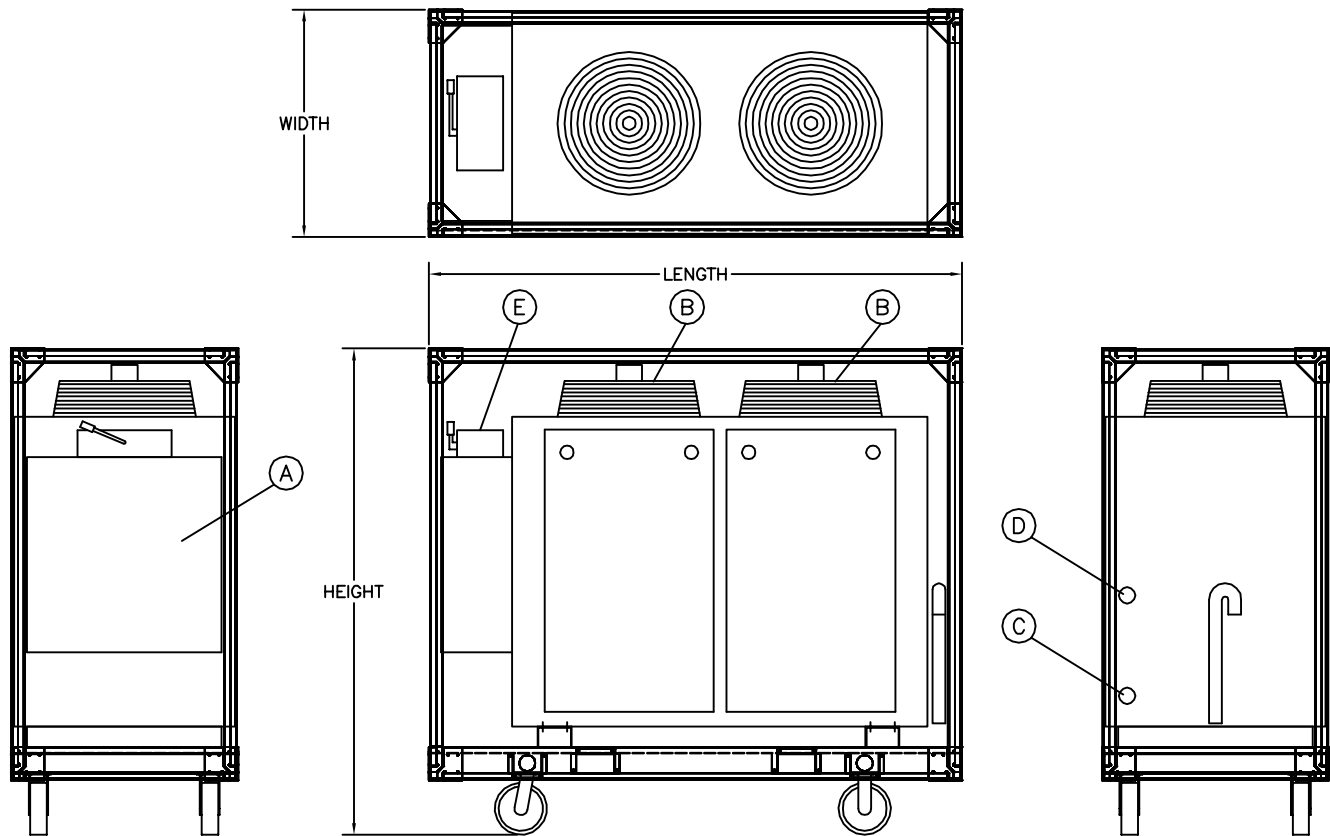


1965

# TEMPAIR®

## HVAC RENTAL SOLUTIONS

### TCA-10



#### UNIT SPECIFICATIONS:

POWER SUPPLY:	460V/3PH/60HZ/30A
EVAP. FLOW RATE:	12.8 GPM (MIN.)
	51.2 GPM (MAX.)

- Ⓐ CONTROL PANEL
- Ⓑ CONDENSER FANS, 22" DIA
- Ⓒ WATER INLET 1-1/2" FPT
- Ⓓ WATER OUTLET 1-1/2" FPT
- Ⓔ DISCONNECT SWITCH

#### NOMINAL CHILLED WATER FLOW:

FLOW:	24 GPM
PRESSURE DROP:	9.3 PSI

#### DIMENSIONS:

LENGTH:	82"
WIDTH:	35"
HEIGHT:	75"
WEIGHT:	1660 lb

DRAWN: JH	UPDATED: JH
DATE: 04/24/13	DATE: 02/21/17