

ESTD

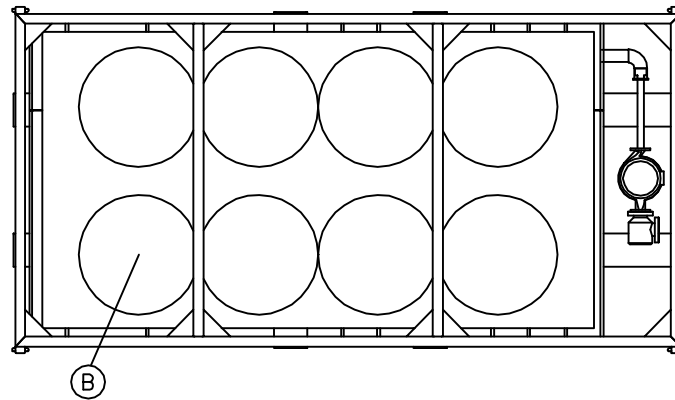


1965

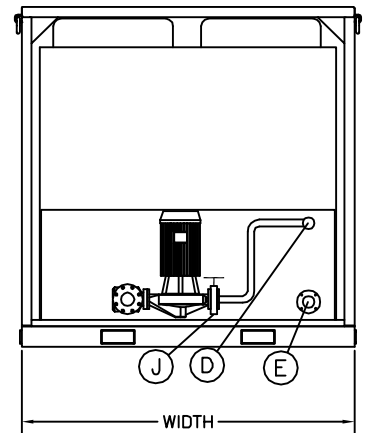
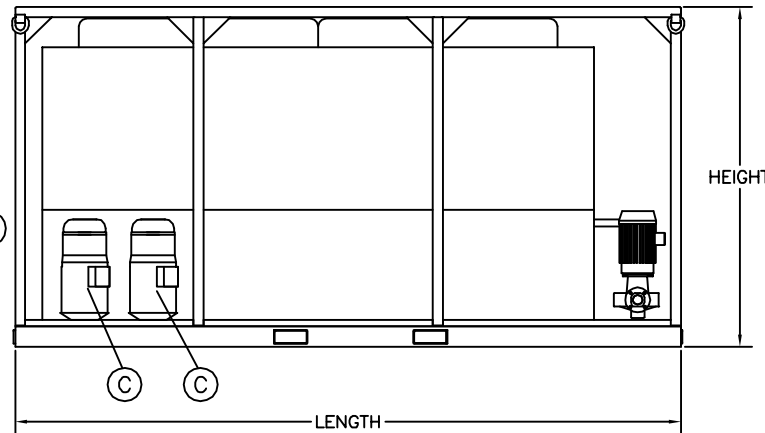
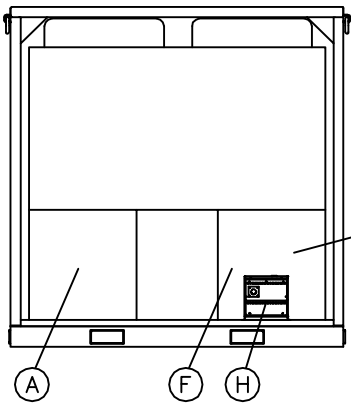
# TEMPAIR®

## HVAC RENTAL SOLUTIONS

### TCA-100



- (A) CONTROL PANEL
- (B) CONDENSER FANS
- (C) COMPRESSORS
- (D) WATER INLET 4" dia
- (E) WATER OUTLET 4" dia
- (F) DISCONNECT SWITCH
- (G) CIRCUIT BREAKER
- (H) CAM-LOC ELECTRICAL BOX
- (J) 3" BUTTERFLY VALVE



#### UNIT SPECIFICATIONS:

POWER SUPPLY: 460V/3PH/225MOP/60HZ/219MCA

INCLUDING 10 HP PUMP

WATER DELIVERY: 260 GPM

SOUND POWER LEVEL: 66DBA

#### DIMENSIONS:

LENGTH: 200"

WIDTH: 100"

HEIGHT: 102"

WEIGHT: 9300 lb

#### CLEARANCES:

CLEARANCE FRONT: 40"

CLEARANCE SIDES: 34"

CLEARANCE REAR: 13"

#### EVAPORATOR PERFORMANCE:

CAPACITY, GALLON: 10.3

MAX PRESSURE, PSI: 150

MIN. FLOW, GPM: 145

MAX. FLOW, GPM: 346

PRESSURE DROP: @ MIN. FLOW: 7 (FT. OF H<sub>2</sub>O)

@ MAX. FLOW: 35 (FT. OF H<sub>2</sub>O)

DESIGN LWT °F: 42

DESIGN EWT °F: 52

DRAWN: KAP	UPDATED: JH
DATE: 06/17/11	DATE: 05/08/17