

ESTD

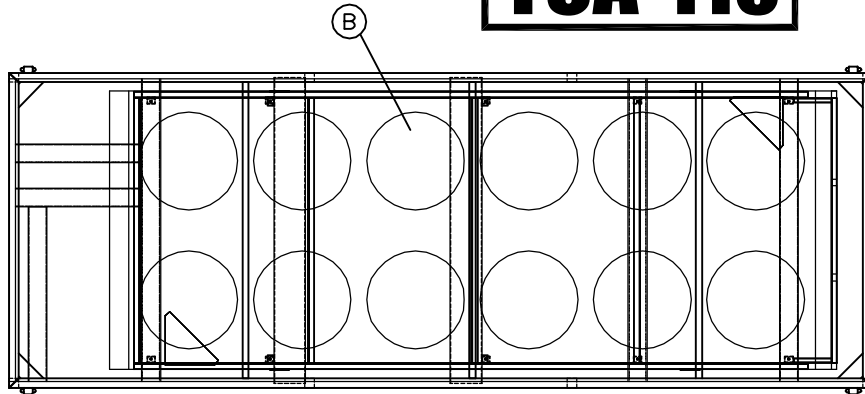


1965

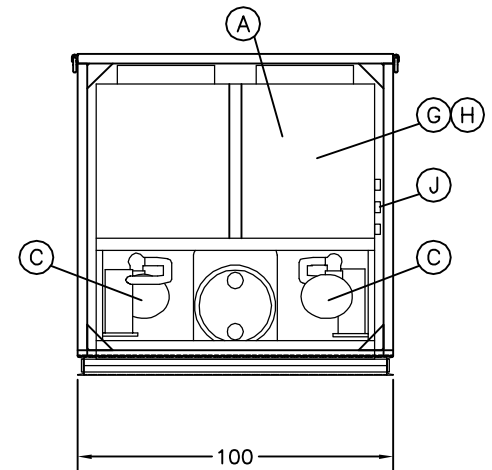
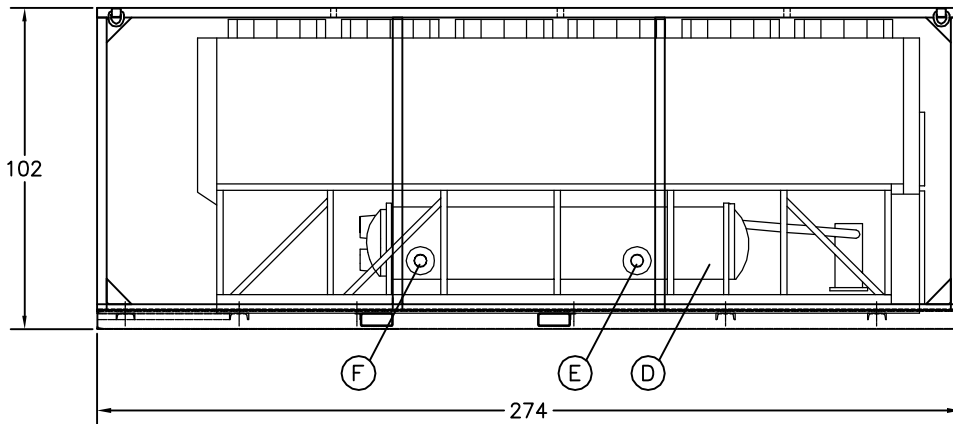
# TEMPAIR®

## HVAC RENTAL SOLUTIONS

### TCA-110



- (A) CONTROL PANEL
- (B) CONDENSER FANS
- (C) COMPRESSORS
- (D) HEAT EXCHANGER
- (E) WATER INLET 4" dia
- (F) WATER OUTLET 4" dia
- (G) DISCONNECT SWITCH
- (H) CIRCUIT BREAKER
- (J) CAM-LOC POWER CONNECTOR



#### UNIT SPECIFICATIONS:

POWER SUPPLY: 460V/3PH/300MOP/60HZ/247MCA  
 INCLUDING 10 HP PUMP

WATER DELIVERY: 260 GPM

SOUND POWER LEVEL: 74.5DBA

#### EVAPORATOR PERFORMANCE:

CAPACITY, GALLON: 53.4

MAX. PRESSURE, PSI: 215

MIN. FLOW, GPM: 132

MAX. FLOW, GPM: 396

PRESSURE DROP: @ MIN. FLOW: 3.5 (FT. OF H2O)  
 @ MAX. FLOW: 27 (FT. OF H2O)

#### DIMENSIONS:

LENGTH: 274"

WIDTH: 100"

HEIGHT: 102"

WEIGHT: 10,000 lb

#### CLEARANCES:

CLEARANCE FRONT: 20"

CLEARANCE SIDES: 45"

CLEARANCE REAR: 44"

DESIGN LWT °F: 40

DESIGN EWT °F: 50

DRAWN: NJT	UPDATED: JH
DATE: 06/28/13	DATE: 05/08/17