

ESTD



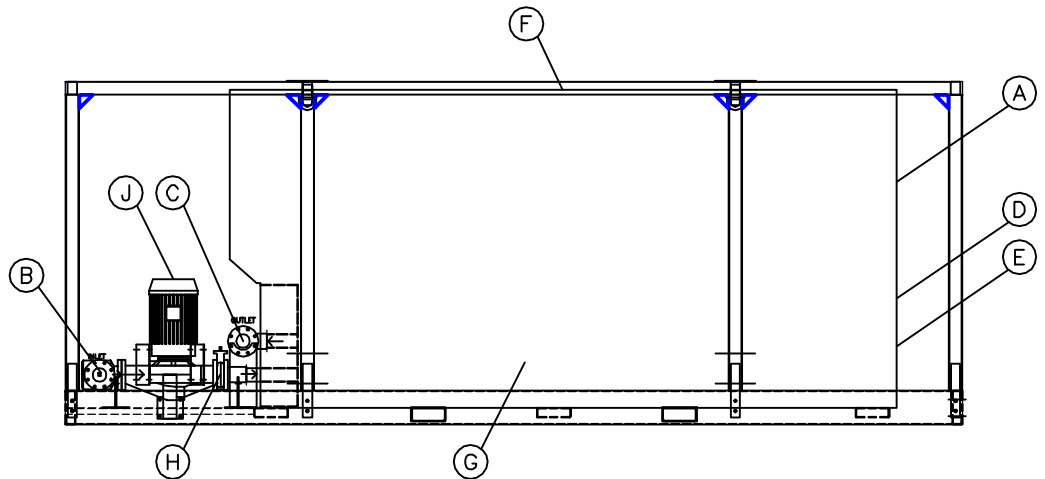
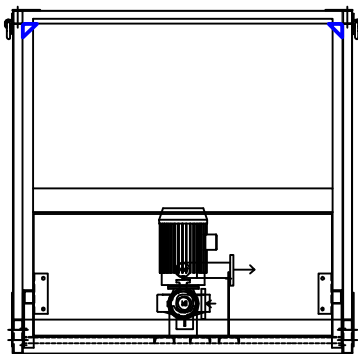
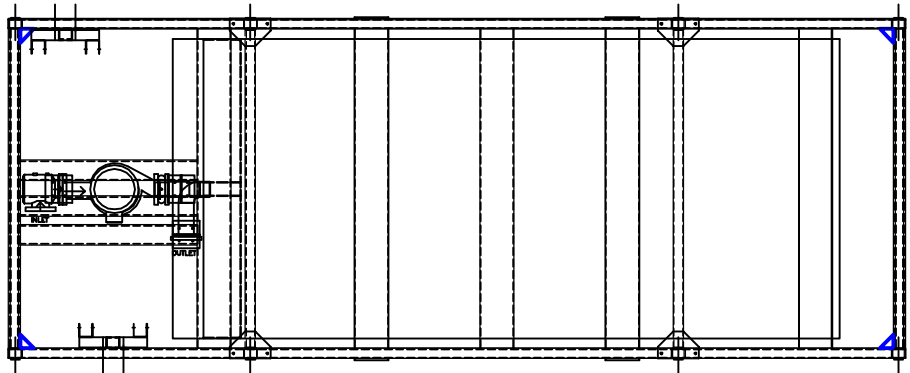
1965

# TEMPAIR®

## HVAC RENTAL SOLUTIONS

### TCA-140

- (A) CONTROL PANEL
- (B) WATER INLET
- (C) WATER OUTLET
- (D) CAMLOK POWER CONNECTIONS
- (E) DISCONNECT SWITCH
- (F) CONDENSER FANS
- (G) COMPRESSORS
- (H) BUTTERFLY VALVE
- (J) PUMP



#### UNIT SPECIFICATIONS:

POWER SUPPLY: 460V/3PH/400MOP/60HZ/314MCA  
INCLUDING 20 HP PUMP

WATER DELIVERY: 400 GPM

PUMP: 20hp 4" FLANGE

WATER CONNECTION: 4" FLANGED

SOUND POWER LEVEL: 74DBA

#### DIMENSIONS:

LENGTH: 264"  
 WIDTH: 100"  
 HEIGHT: 102"  
 WEIGHT: 14,400 lb

#### CLEARANCES:

CLEARANCE FRONT: 21"  
 CLEARANCE SIDES: 41"  
 CLEARANCE REAR: 6"

#### EVAPORATOR PERFORMANCE:

CAPACITY, GALLON: 29  
 MAX. PRESSURE, PSI: 150  
 MIN. FLOW, GPM: 193  
 MAX. FLOW, GPM: 709  
 PRESSURE DROP: @ MIN. FLOW: 4 (FT. OF H2O)  
 @ MAX. FLOW: 43 (FT. OF H2O)

DESIGN LWT °F: 40  
 DESIGN EWT °F: 50

DRAWN: JH	UPDATED:
DATE: 04/04/17	DATE: