

ESTD

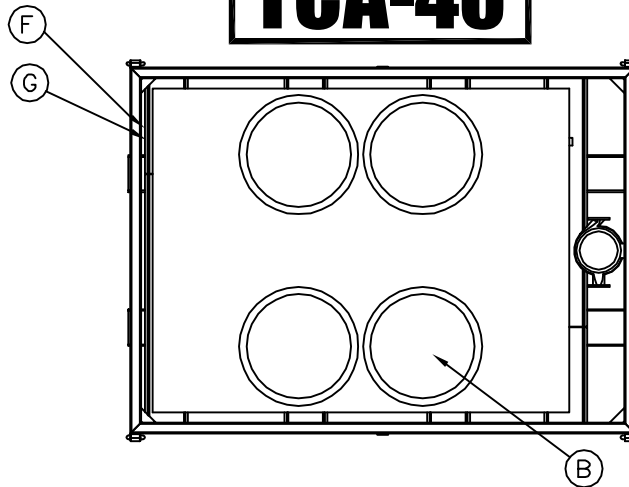


1965

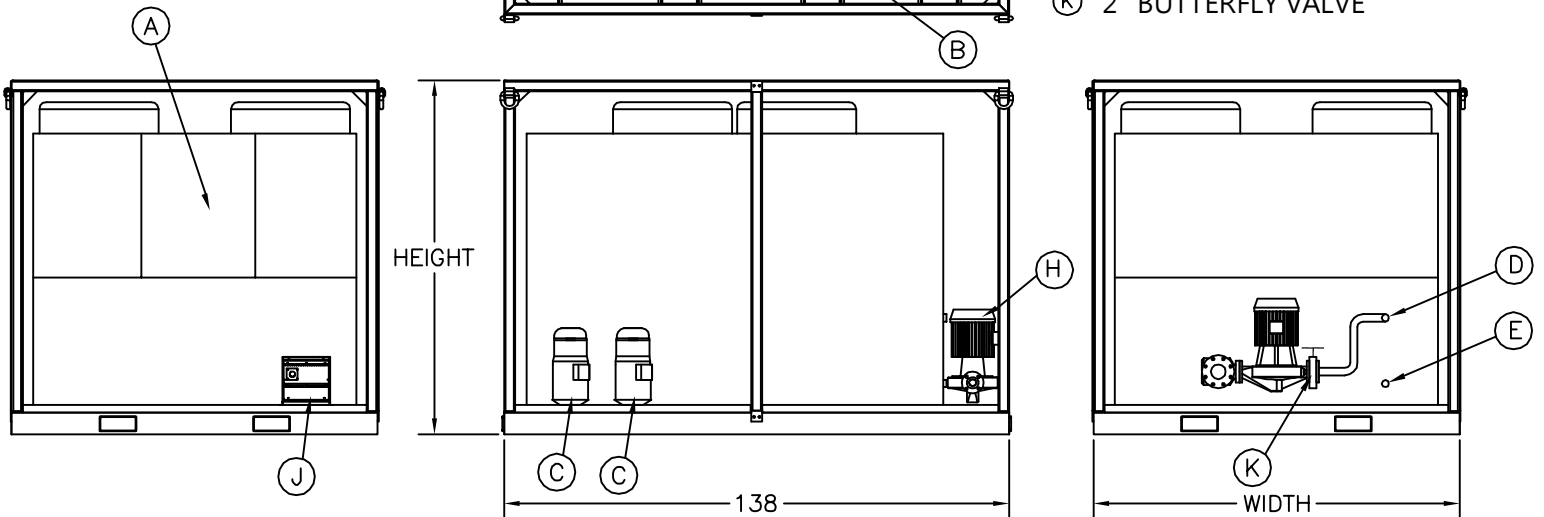
TEMPAIR®

HVAC RENTAL SOLUTIONS

TCA-40



- (A) CONTROL PANEL
- (B) CONDENSER FANS
- (C) COMPRESSORS
- (D) WATER INLET 2.5" dia
- (E) WATER OUTLET 2.5" dia
- (F) DISCONNECT SWITCH
- (G) CIRCUIT BREAKER
- (H) PUMP
- (J) ASSY CAM-LOC ELECTRICAL BOX
- (K) 2" BUTTERFLY VALVE



UNIT SPECIFICATIONS:

POWER SUPPLY: 460V/3PH/60HZ/110MOP/102MCA

SOUND POWER LEVEL: 62DBA

INCLUDING 5 HP PUMP PUMP:

WATER DELIVERY: 90 GPM

DIMENSIONS:

LENGTH: 138"
 WIDTH: 100"
 HEIGHT: 97"
 WEIGHT: 5400 lb

CLEARANCES:

CLEARANCE FRONT: 42"
 CLEARANCE SIDES: 33"
 CLEARANCE REAR: 14"

EVAPORATOR PERFORMANCE:

CAPACITY, GALLON: 2.4
 MAX. PRESSURE, PSI: 150
 MIN. FLOW, GPM: 57
 MAX. FLOW, GPM: 136
 PRESSURE DROP: @ MIN. FLOW: 9.0 (FT. OF H₂O)
 @ MAX. FLOW: 45 (FT. OF H₂O)
 DESIGN LWT °F: 42
 DESIGN EWT °F: 52

DRAWN: JH	UPDATED: JH
DATE: 02/20/13	DATE: 05/08/17