

ESTD



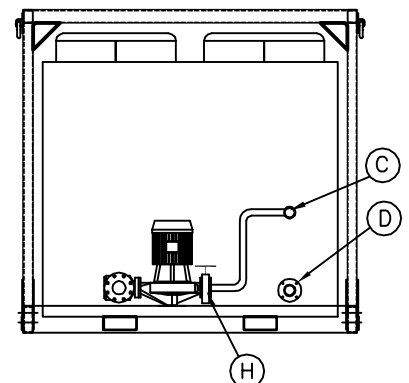
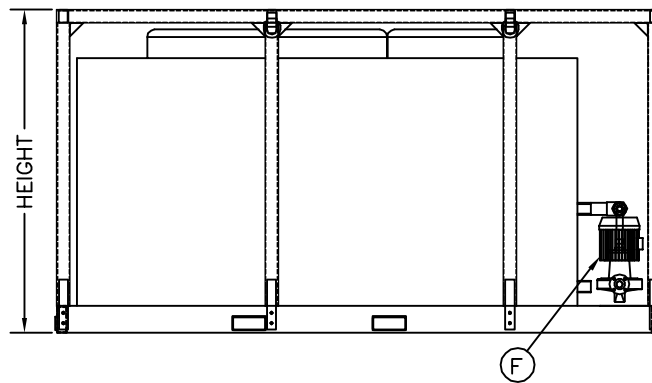
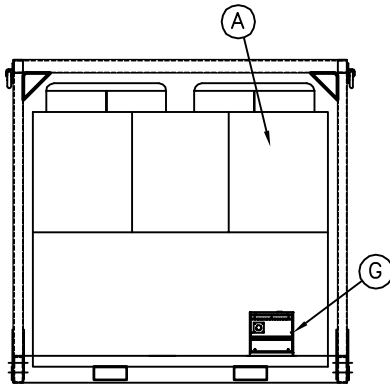
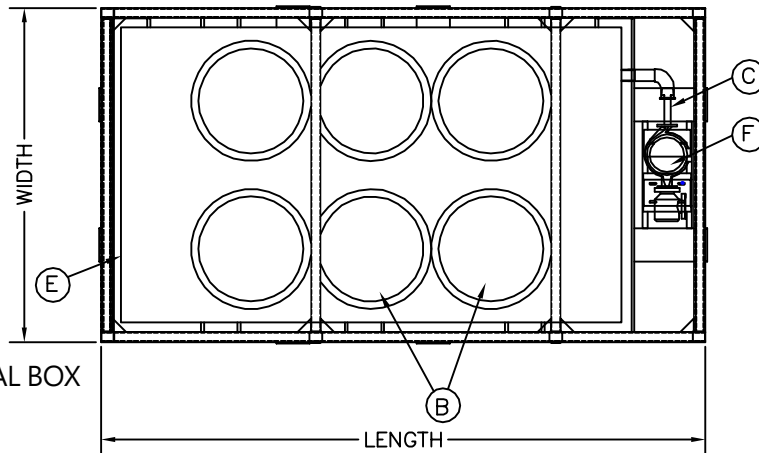
1965

TEMPAIR®

HVAC RENTAL SOLUTIONS

TCA-60

- Ⓐ CONTROL PANEL
- Ⓑ CONDENSER FANS
- Ⓒ WATER INLET 4" dia
- Ⓓ WATER OUTLET 4" dia
- Ⓔ DISCONNECT SWITCH
- Ⓕ PUMP
- Ⓖ ASSY CAM-LOC ELECTRICAL BOX
- Ⓗ 3" BUTTERFLY VALVE



UNIT SPECIFICATIONS:

POWER SUPPLY: 460V/3PH/150MOP/60HZ/134MCA
INCLUDING 7.5 HP PUMP

WATER DELIVERY: 150 GPM

SOUND POWER LEVEL: 66DBA

DIMENSIONS:

LENGTH: 181"
 WIDTH: 100"
 HEIGHT: 97"
 WEIGHT: 7740 lb

CLEARANCES:

CLEARANCE FRONT: 42"
 CLEARANCE SIDES: 33"
 CLEARANCE REAR: 7"

EVAPORATOR PERFORMANCE:

CAPACITY, GALLON: 5.0

MAX. PRESSURE, PSI: 150

MIN. FLOW, GPM: 84

MAX. FLOW, GPM: 201

PRESSURE DROP: @ MIN. FLOW: 7 (FT. OF H2O)
 @ MAX. FLOW: 36 (FT. OF H2O)

DESIGN LWT °F: 42

DESIGN EWT °F: 52

DRAWN: JH	UPDATED: JH
DATE: 05/05/14	DATE: 05/08/17