

ESTD

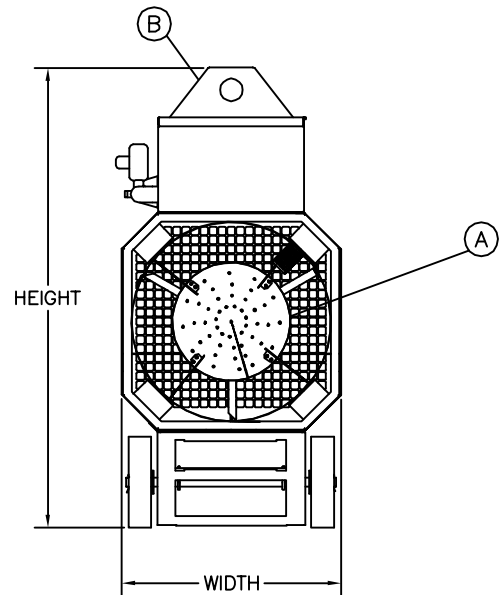
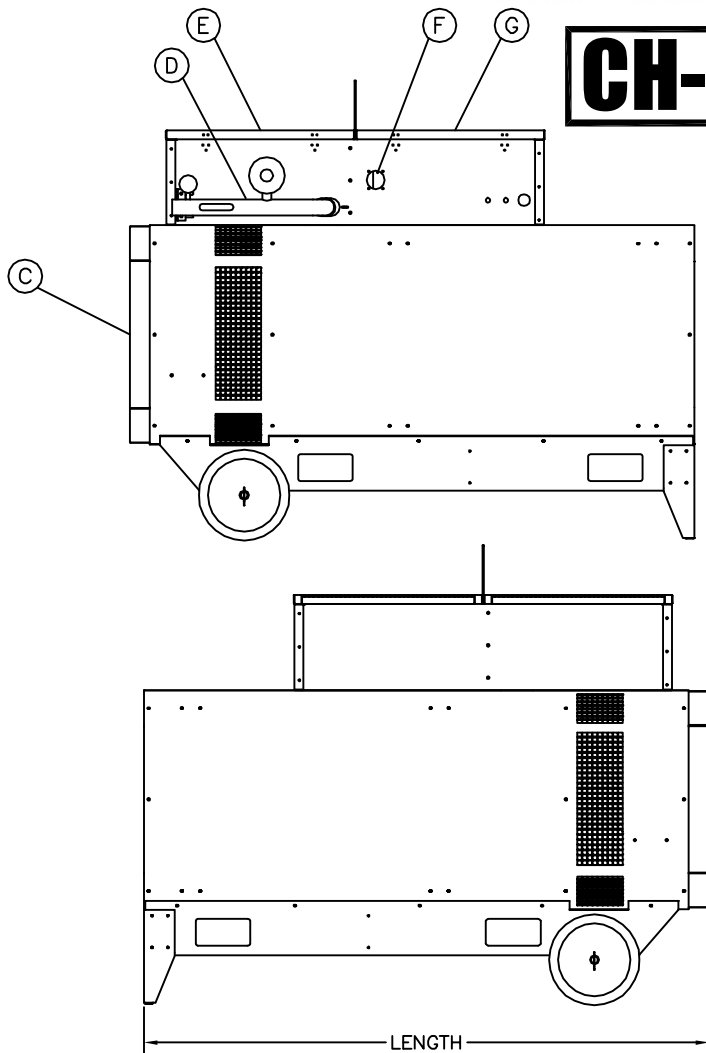


1965

# TEMPAIR®

## HVAC RENTAL SOLUTIONS

### CH-1000



### UNIT SPECIFICATIONS:

POWER SUPPLY:	115V/1PH/60HZ/20A
AIR DELIVERY:	5,500 CFM
BTU INPUT:	500,000 - 1,000,000

### FUEL SUPPLY:

PROPANE:	2 - 10 PSI
NATURAL GAS:	2 PSI
CONNECTION:	1" NPT

### DIMENSIONS:

LENGTH:	61"
WIDTH:	24"
HEIGHT:	49"
WEIGHT:	495 lb

### NOTE:

CONTACT TEMP-AIR FOR OTHER GAS PRESSURES.

- (A) DISCHARGE
- (B) LIFTING EYE
- (C) INTAKE SCREEN
- (D) GAS INLET
- (E) SERVICE ACCESS MANIFOLD
- (F) CONTROL PANEL
- (G) SERVICE ACCESS ELECTRICAL

DRAWN:	ACJ	UPDATED:	JH
DATE:	11/03/01	DATE:	09/21/16