

ESTD

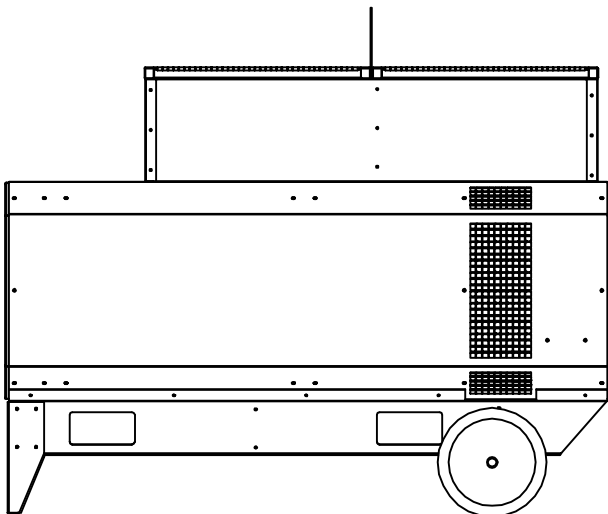
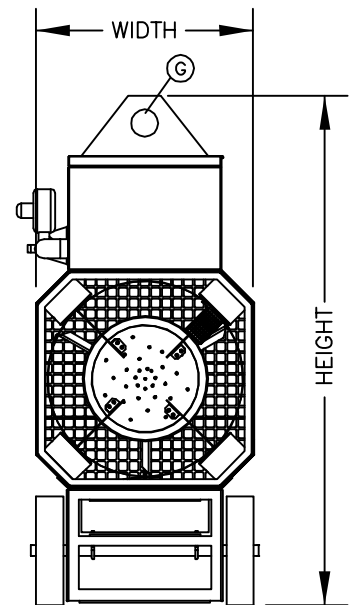
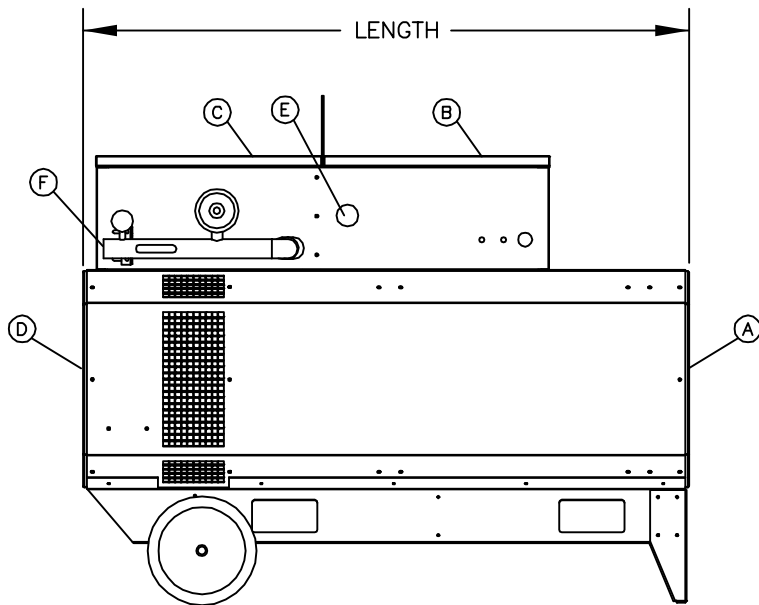


1985

TEMPAIR®

HVAC RENTAL SOLUTIONS

CH-600



- (A) DISCHARGE
- (B) ELECTRICAL BOX
- (C) GAS CONTROL BOX
- (D) INTAKE
- (E) POWER INLET
- (F) GAS INLET
- (G) LIFTING EYE

UNIT SPECIFICATIONS:

POWER SUPPLY: 115V/1PH/60HZ/15A
 AIR DELIVERY: 3,100 CFM
 BTU INPUT: 300,000 - 600,000

FUEL SUPPLY:

PROPANE: 2 - 10 PSI
 NATURAL GAS: 2 PSI
 CONNECTION: 1/2" NPT (propane)

DIMENSIONS:

LENGTH: 55"
 WIDTH: 20"
 HEIGHT: 43"
 WEIGHT: 445 lb

NOTE:

CONTACT TEMP-AIR FOR OTHER GAS PRESSURES.

DRAWN: ACJ	UPDATED: JH
DATE: 11/03/01	DATE: 09/21/16