

ESTD

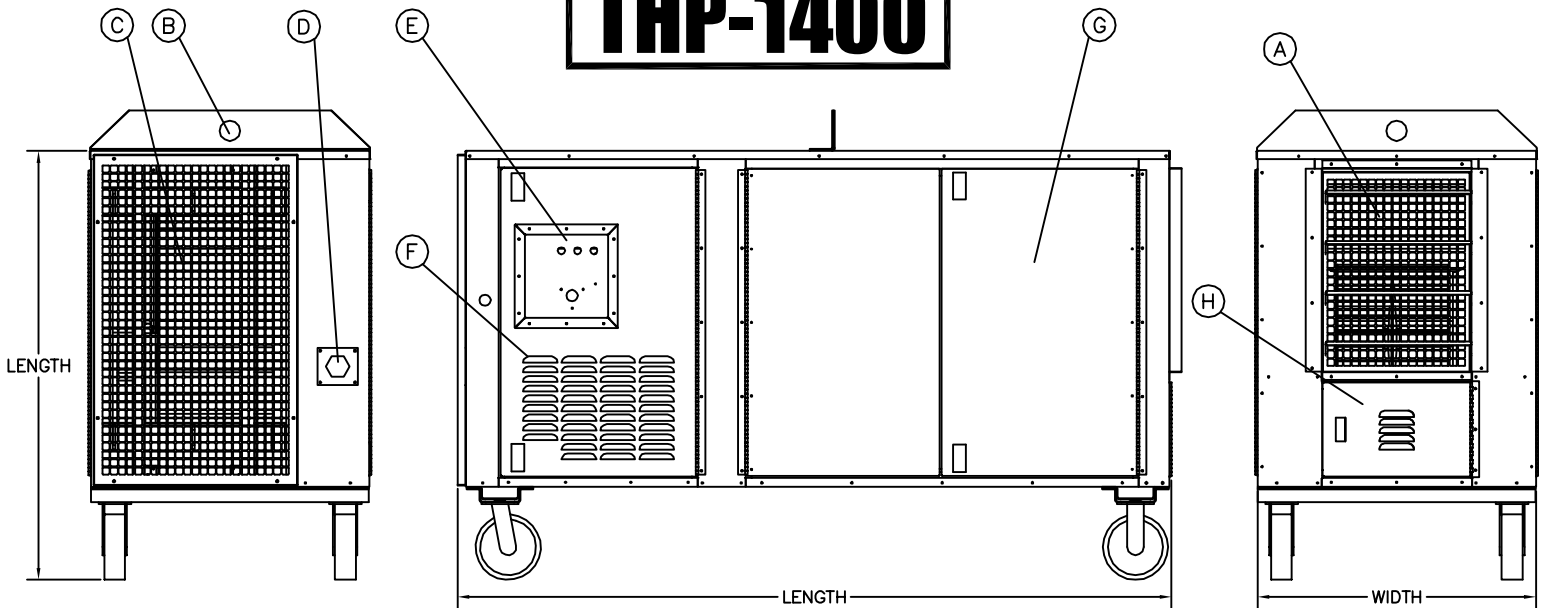


1965

# TEMPAIR®

## HVAC RENTAL SOLUTIONS

### THP-1400



#### UNIT SPECIFICATIONS:

POWER SUPPLY: 230V/1PH/60HZ/25A  
230V/3PH/60HZ/15A  
460V/3PH/60HZ/7A

AIR DELIVERY: 7,500 CFM

BTU INPUT: 60,750 - 1,400,000

#### FUEL SUPPLY:

PROPANE: 10 PSI  
CONNECTION: 1" NPT  
NATURAL GAS: 4 PSI  
CONNECTION: 1-1/4" NPT

- (A) DISCHARGE DIFFUSER
- (B) LIFTING EYE
- (C) INTAKE SCREEN
- (D) GAS INLET
- (E) CONTROL PANEL WITH SAFETY DISCONNECT
- (F) SERVICE ACCESS ELECTRICAL/MANIFOLD
- (G) SERVICE ACCESS BLOWER/BEARINGS
- (H) SERVICE ACCESS MOTOR

#### DIMENSIONS:

LENGTH: 88"  
WIDTH: 35"  
HEIGHT: 51"  
WEIGHT: 1197 lb

#### NOTE:

- CONTACT TEMP-AIR FOR OTHER GAS PRESSURES.

DRAWN: ACJ	UPDATED: JH
DATE: 10/26/01	DATE: 9/19/16