

ESTD

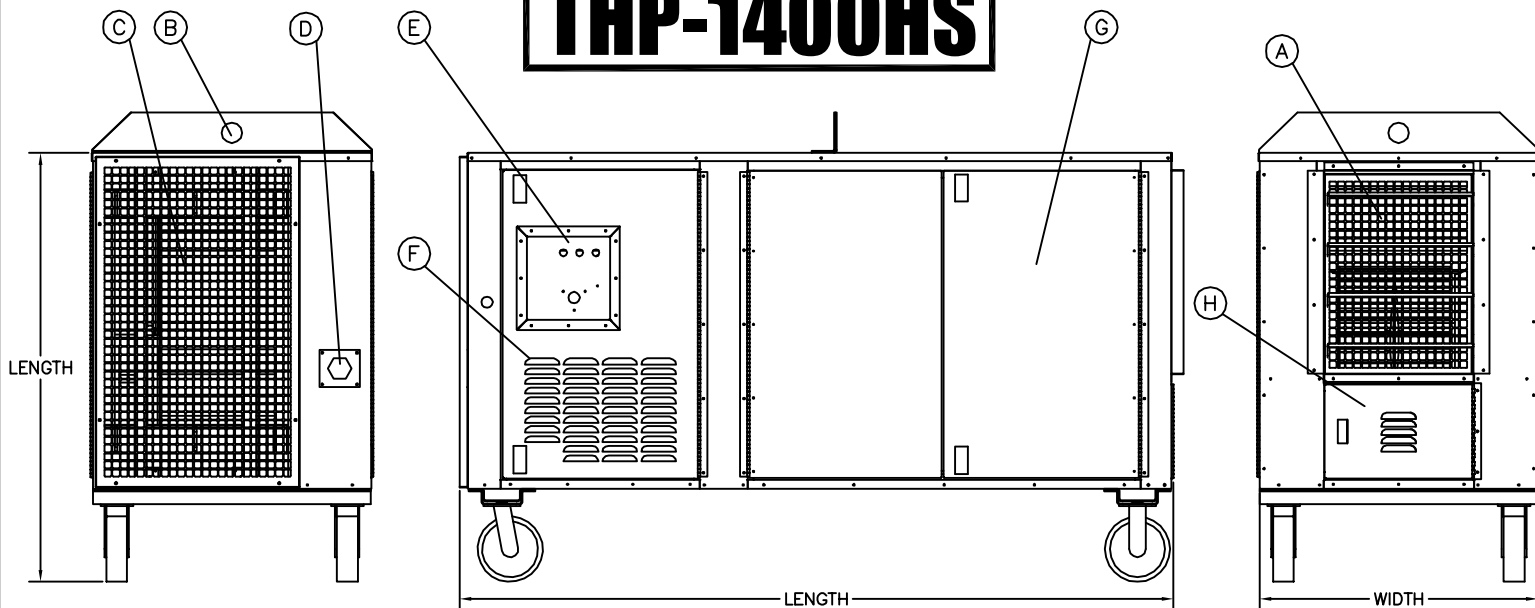


1965

TEMPAIR®

HVAC RENTAL SOLUTIONS

THP-1400HS



UNIT SPECIFICATIONS:

POWER SUPPLY: 230V/3PH/60HZ/15A

460V/3PH/60HZ/7A

AIR DELIVERY: 7,500 CFM

EXTERNAL STATIC CAPABILITY: 1.5"ESP

BTU INPUT: 0,750 - 1,400,000

FUEL SUPPLY:

PROPANE: 10 PSI

CONNECTION: 1" NPT

NATURAL GAS: 4 PSI

CONNECTION: 1-1/4" NPT

- Ⓐ DISCHARGE DIFFUSER
- Ⓑ LIFTING EYE
- Ⓒ INTAKE SCREEN
- Ⓓ GAS INLET
- Ⓔ CONTROL PANEL WITH SAFETY DISCONNECT
- Ⓕ SERVICE ACCESS ELECTRICAL/MANIFOLD
- Ⓖ SERVICE ACCESS BLOWER/BEARINGS
- Ⓗ SERVICE ACCESS MOTOR

DIMENSIONS:

LENGTH: 88"

WIDTH: 35"

HEIGHT: 51"

WEIGHT: 1197 lb

NOTE:

- CONTACT TEMP-AIR FOR OTHER GAS PRESSURES.
- DO NOT OPERATE WITHOUT DUCTWORK INSTALLED.

DRAWN: JH

UPDATED: JH

DATE: 7/26/16

DATE: 9/19/16