

ESTD

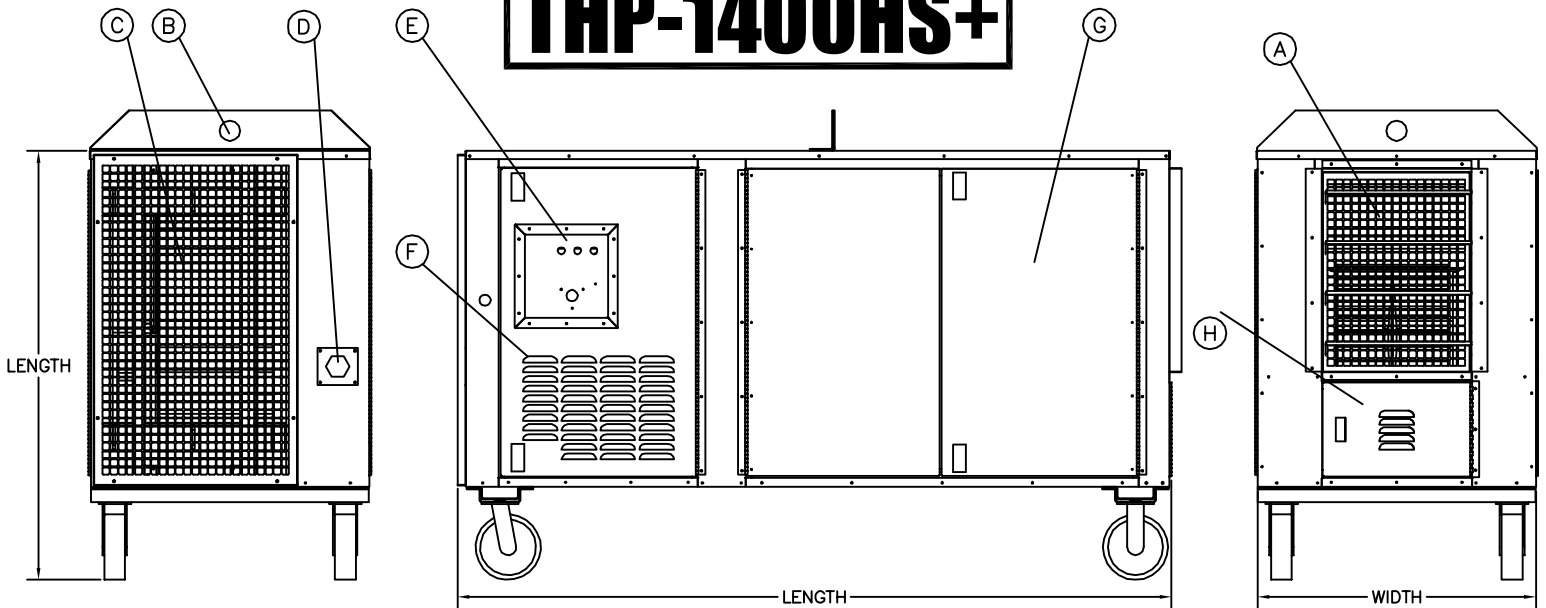


1985

TEMPAIR®

HVAC RENTAL SOLUTIONS

THP-1400HS+



UNIT SPECIFICATIONS:

POWER SUPPLY: 230V/3PH/60HZ/20A
460V/3PH/60HZ/12A

AIR DELIVERY: 7,500 CFM

BTU INPUT: 60,750 - 1,400,000

EXTERNAL STATIC CAPABILITY: 3.0"ESP

FUEL SUPPLY:

PROPANE: 10 PSI
CONNECTION: 1" NPT
NATURAL GAS: 4 PSI
CONNECTION: 1-1/4" NPT

- (A) DISCHARGE DIFFUSER
- (B) LIFTING EYE
- (C) INTAKE SCREEN
- (D) GAS INLET
- (E) CONTROL PANEL WITH SAFETY DISCONNECT
- (F) SERVICE ACCESS ELECTRICAL/MANIFOLD
- (G) SERVICE ACCESS BLOWER/BEARINGS
- (H) SERVICE ACCESS MOTOR

DIMENSIONS:

LENGTH: 88"
WIDTH: 35"
HEIGHT: 51"
WEIGHT: 1197 lb

NOTE:

- CONTACT TEMP-AIR FOR OTHER GAS PRESSURES.
- DO NOT OPERATE WITHOUT DUCTWORK INSTALLED.

DRAWN: JH	UPDATED: JH
DATE: 7/26/16	DATE: 9/19/16