

ESTD

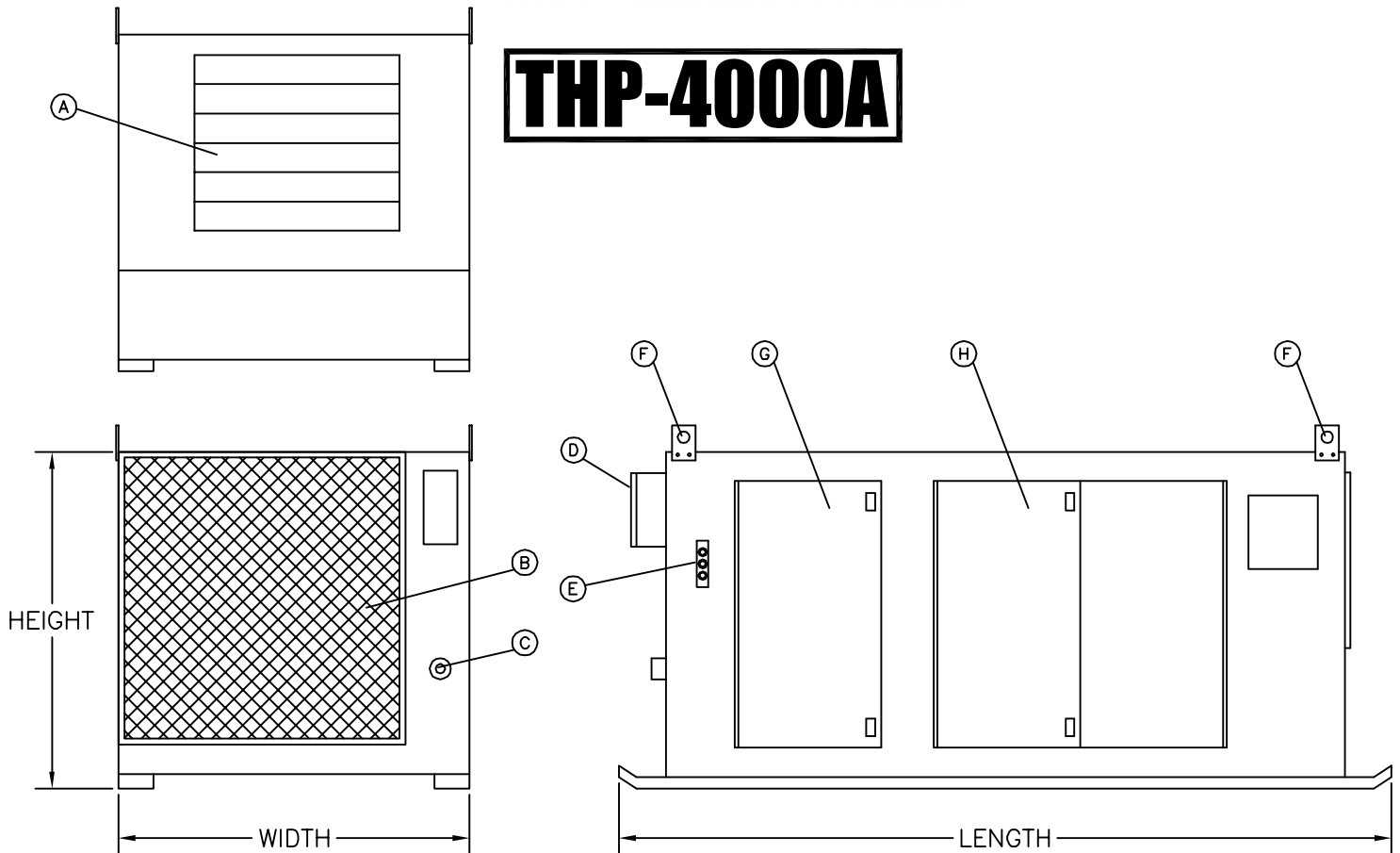


1965

TEMPAIR®

HVAC RENTAL SOLUTIONS

THP-4000A



UNIT SPECIFICATIONS:

POWER SUPPLY: 230V/3PH/60HZ/40A
460V/3PH/60HZ/20A

AIR DELIVERY: 21,000 CFM

BTU INPUT: 170,000 - 4,000,000

FUEL SUPPLY:

PROPANE: 10 PSI

NATURAL GAS: 14 - 4 PSI

CONNECTION: 2" NPT

DIMENSIONS:

LENGTH: 132"

WIDTH: 60"

HEIGHT: 58"

WEIGHT: 2,405 lb

- (A) DISCHARGE DIFFUSER
- (B) INTAKE SCREEN
- (C) GAS INLET
- (D) SAFETY DISCONNECT
- (E) CONTROL PANEL
- (F) LIFTING EYES
- (G) SERVICE ACCESS ELECTRICAL/MANIFOLD
- (H) SERVICE ACCESS BLOWER/BEARINGS
- (J) SERVICE ACCESS MOTOR

NOTE:

CONTACT TEMP-AIR FOR OTHER GAS PRESSURES.

DRAWN: ACJ	UPDATED: JH
DATE: 10/31/01	DATE: 9/16/16