

ESTD

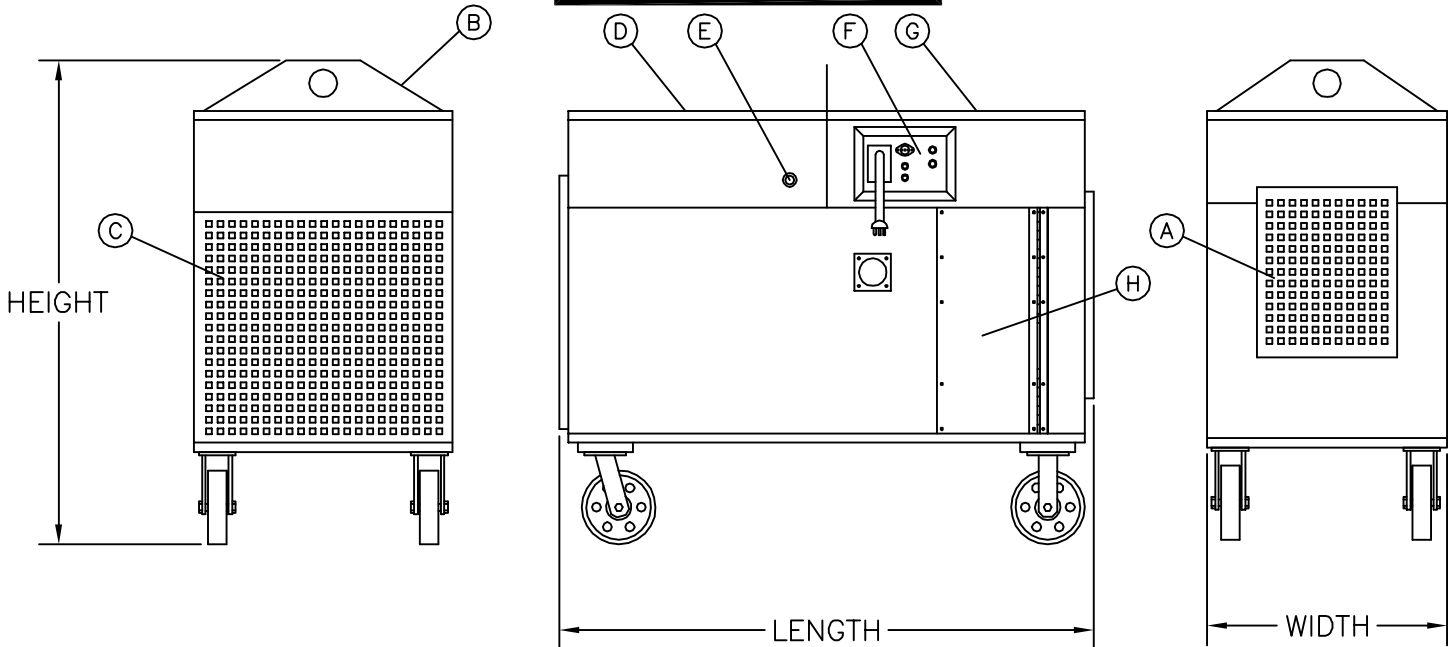


1965

TEMPAIR®

HVAC RENTAL SOLUTIONS

THP-500A



UNIT SPECIFICATIONS:

POWER SUPPLY: 115V/1PH/60HZ/20A

AIR DELIVERY: 3,300 CFM

BTU INPUT: 44,500 - 500,000

FUEL SUPPLY:

PROPANE: 2 - 10 PSI

CONNECTION: 1" NPT

NATURAL GAS: 14 - 4 PSI

CONNECTION: 1" NPT

DIMENSIONS:

LENGTH: 56"

WIDTH: 28"

HEIGHT: 53"

WEIGHT: 596 lb

- (A) DISCHARGE SCREEN
- (B) LIFTING EYE
- (C) INTAKE SCREEN
- (D) SERVICE ACCESS MANIFOLD
- (E) GAS INLET
- (F) CONTROL PANEL
- (G) SERVICE ACCESS ELECTRICAL/MOTOR
- (H) SERVICE ACCESS BEARINGS

NOTE:

CONTACT TEMP-AIR FOR OTHER GAS PRESSURES.

DRAWN: ACJ	UPDATED: JH
DATE: 11/01/01	DATE: 09/21/16