

ESTD

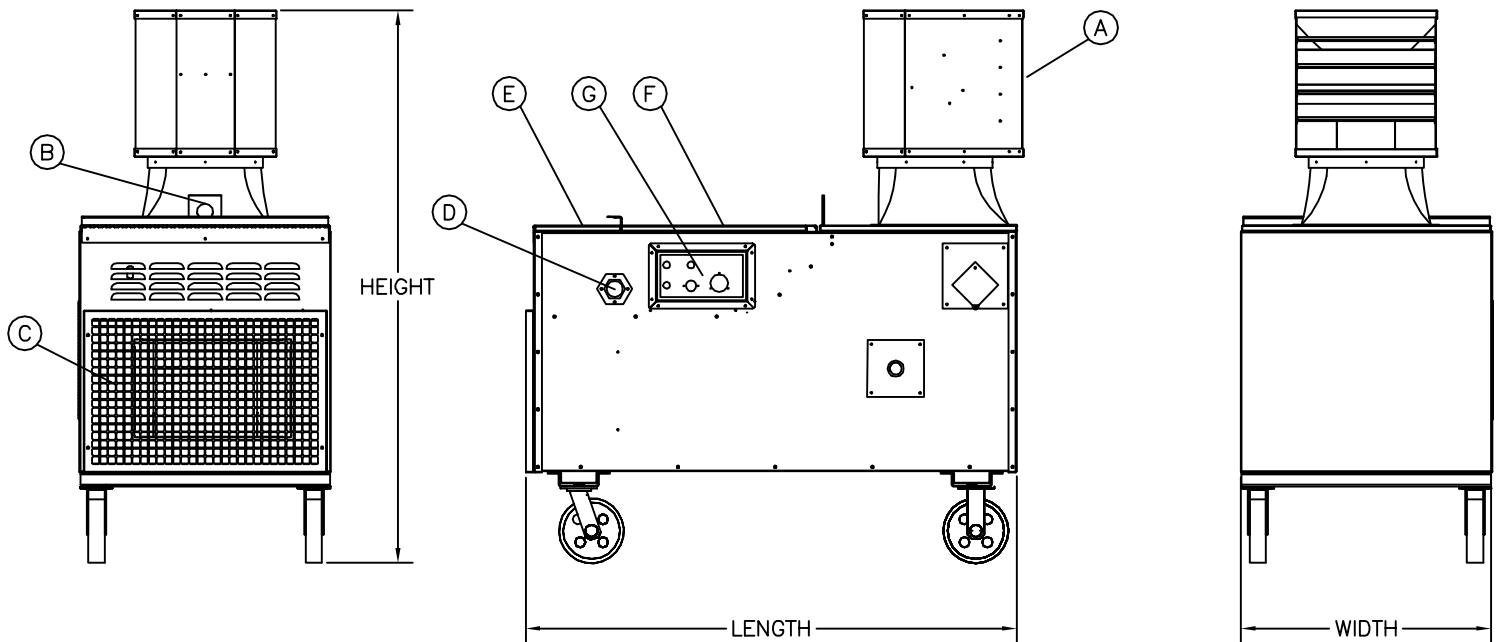


1965

TEMPAIR®

HVAC RENTAL SOLUTIONS

THP-550



UNIT SPECIFICATIONS:

POWER SUPPLY: 115V/1PH/60HZ/20A
 AIR DELIVERY: 3,000 CFM
 BTU INPUT: 40,500 - 550,000

FUEL SUPPLY:

PROPANE: 2 - 10 PSI
 NATURAL GAS: 4 PSI
 CONNECTION: 1" NPT

DIMENSIONS:

LENGTH: 61"
 WIDTH: 31"
 HEIGHT: 68"
 WEIGHT: 500 lb

NOTE:

CONTACT TEMP-AIR FOR OTHER GAS PRESSURES.

- (A) DISCHARGE HOOD
- (B) LIFTING EYE
- (C) INTAKE SCREEN
- (D) GAS INLET
- (E) SERVICE ACCESS ELECTRICAL/MANIFOLD/MOTOR
- (F) SERVICE ACCESS BEARINGS
- (G) CONTROL PANEL

DRAWN: ACJ	UPDATED: JH
DATE: 11/13/01	DATE: 09/21/16