

ESTD

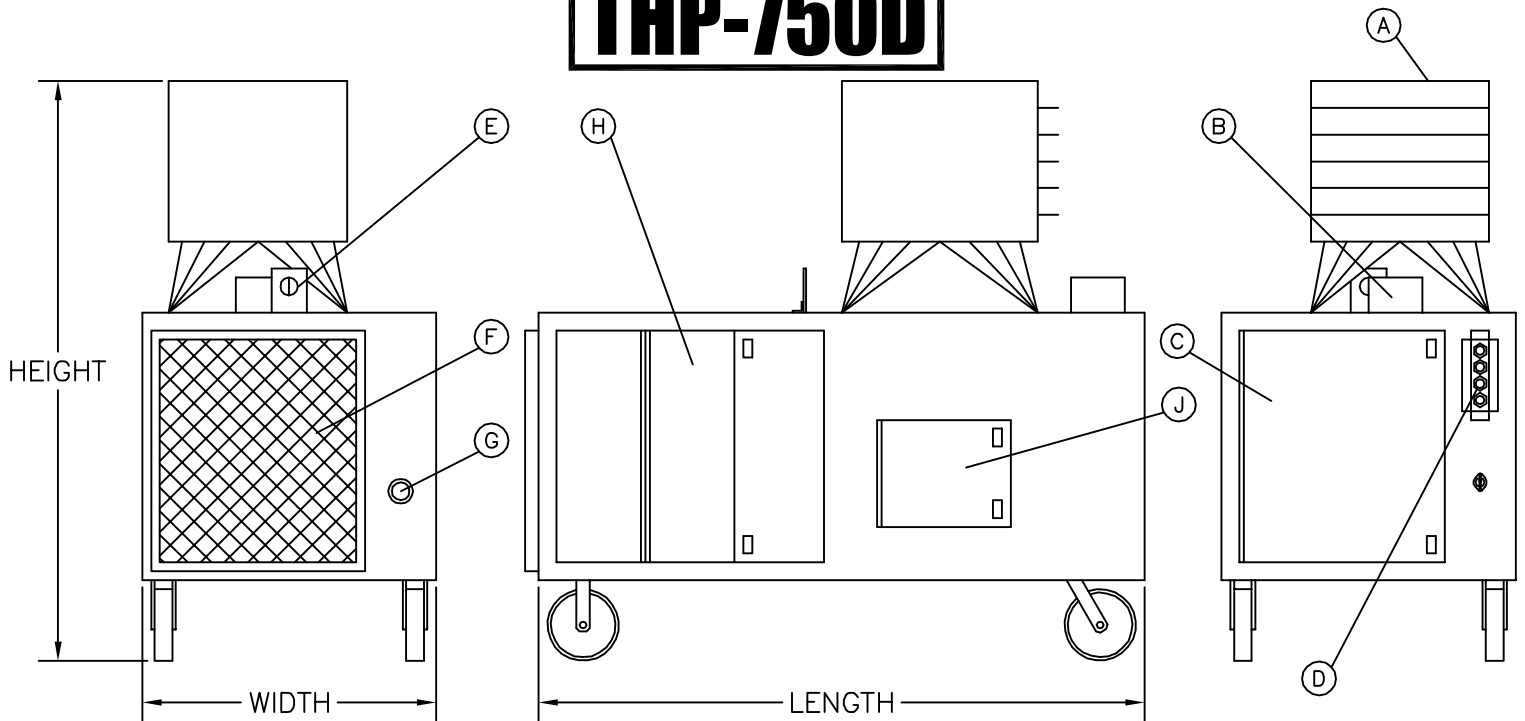


1965

# TEMPAIR®

## HVAC RENTAL SOLUTIONS

### THP-750D



#### UNIT SPECIFICATIONS:

POWER SUPPLY: 230V/1PH/60HZ/15A  
 230V/3PH/60HZ/6A  
 460V/3PH/60HZ/3A

AIR DELIVERY: 4,000 CFM

BTU INPUT: 43,200 - 750,000

#### FUEL SUPPLY:

PROPANE: 2 - 10 PSI

NATURAL GAS: 1/2 - 4 PSI

CONNECTION: 1" NPT

#### DIMENSIONS:

LENGTH: 68"

WIDTH: 33"

HEIGHT: 65"

WEIGHT: 757 lb

#### NOTE:

CONTACT TEMP-AIR FOR OTHER GAS PRESSURES.

- (A) DISCHARGE HOOD
- (B) SAFETY DISCONNECT
- (C) SERVICE ACCESS ELECTRICAL/MOTOR
- (D) CONTROL PANEL
- (E) LIFTING EYE
- (F) INTAKE SCREEN
- (G) GAS INLET
- (H) SERVICE ACCESS MANIFOLD
- (J) SERVICE ACCESS BEARINGS

DRAWN: ACJ	UPDATED: JH
DATE: 11/08/01	DATE: 09/19/16