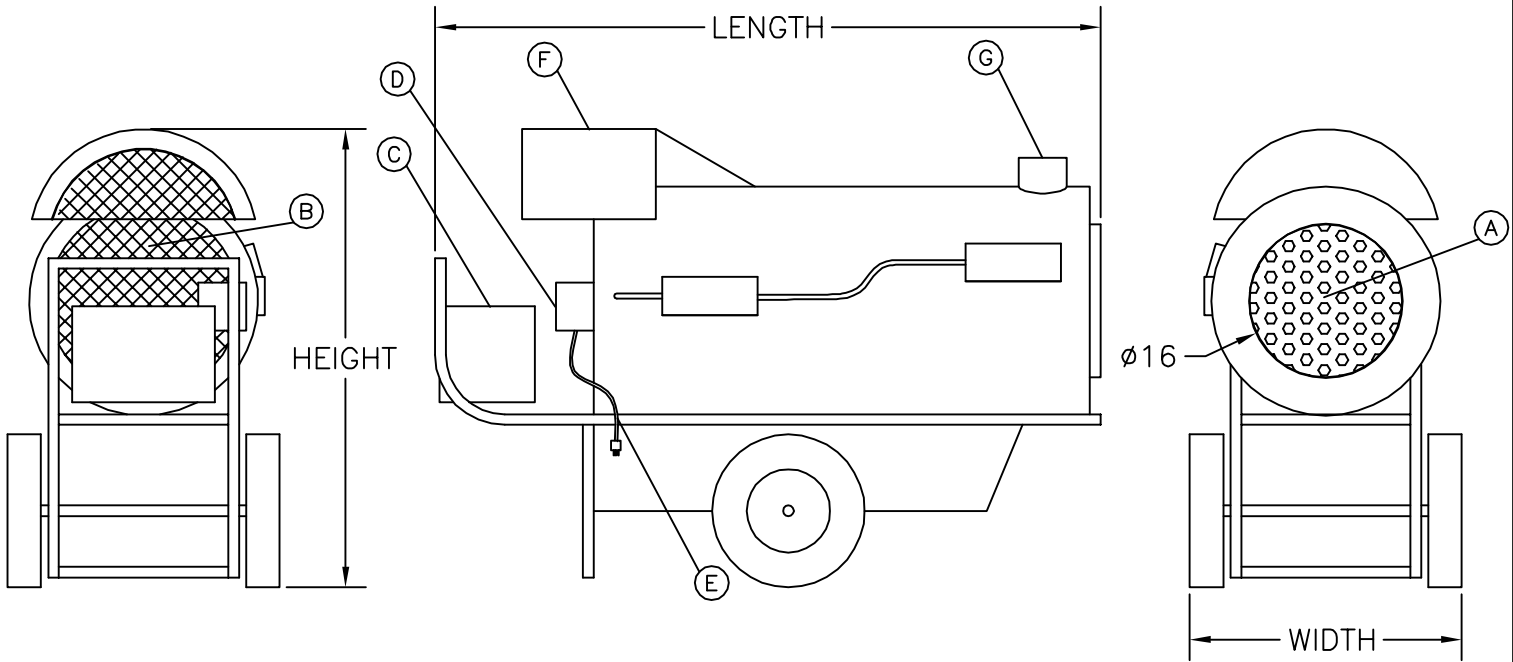


TEMPAIR®

HVAC RENTAL SOLUTIONS

IDF-500



UNIT SPECIFICATIONS:

POWER SUPPLY: 115V/1PH/60HZ/20A
 AIR DELIVERY: 3,100 CFM
 BTU INPUT: 450,000
 FUEL TYPE: NATURAL/PROPANE
 GAS CONNECTION: 1" NPT

- (A) DISCHARGE
- (B) INTAKE SCREEN
- (C) BURNER
- (D) CONTROL BOX
- (E) POWER PLUG
- (F) FAN MOTOR CANOPY
- (G) FLUE CONNECTION 6" DIA

FUEL TYPE:

PROPANE: 10 PSI
 NATURAL GAS: 1/2" - 4 PSI

DIMENSIONS:

LENGTH: 70"
 WIDTH: 36"
 HEIGHT: 50"
 WEIGHT: 467 LB

NOTE:

- CONTACT TEMP-AIR FOR OTHER GAS PRESSURES
- MINIMUM VERTICAL FLUE PIPE RUN IS 2 FEET.
- HORIZONTAL RUN IS 30 FEET WITH 1:10 RISE RATIO.

| | |
|----------------|----------------|
| DRAWN: MACK | UPDATED: JH |
| DATE: 01/31/11 | DATE: 05/17/17 |