

ESTD

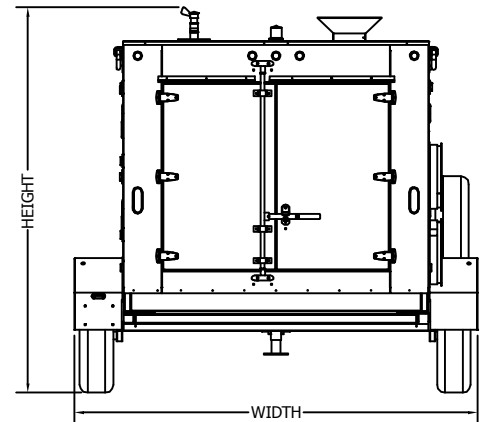
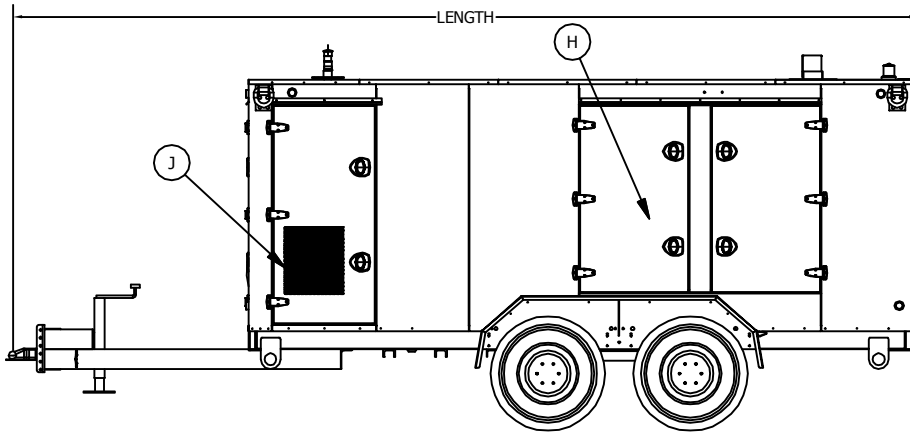
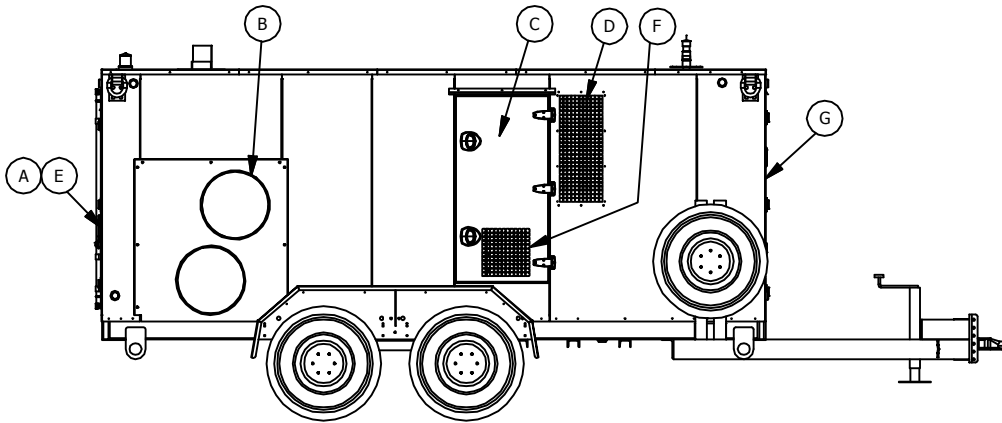


1965

# TEMPAIR®

## HVAC RENTAL SOLUTIONS

### MIDFO-800



#### UNIT SPECIFICATIONS:

GENERATOR:	208V/3PH/60HZ/10KW
FUEL SUPPLY:	DIESEL FUEL
FUEL TANK:	230 GALLONS, DIESEL
AIR DELIVERY:	4000 CFM @ 4.50" W.C. ESP
INPUT:	800,000 BTU/HOUR
OUTPUT:	640,000 BTU/HOUR

#### DIMENSIONS:

LENGTH:	229"
WIDTH:	102"
HEIGHT:	98"
WEIGHT:	7380 lb (NO FUEL)
TOUNGUE WEIGHT:	600 lb

- Ⓐ BURNER ACCESS
- Ⓑ SUPPLY AIR DUAL 16" dia
- Ⓒ BLOWER ACCESS
- Ⓓ FRESH AIR INLET
- Ⓔ CONTROL ACCESS
- Ⓕ GENERATOR INLET AIR VENT
- Ⓖ ENGINE/GENERATOR ACCESS
- Ⓗ FUEL FILL
- Ⓙ GENERATOR OUTLET AIR VENT

DRAWN: MF	UPDATED: JH
DATE: 03/03/16	DATE: 01/12/17