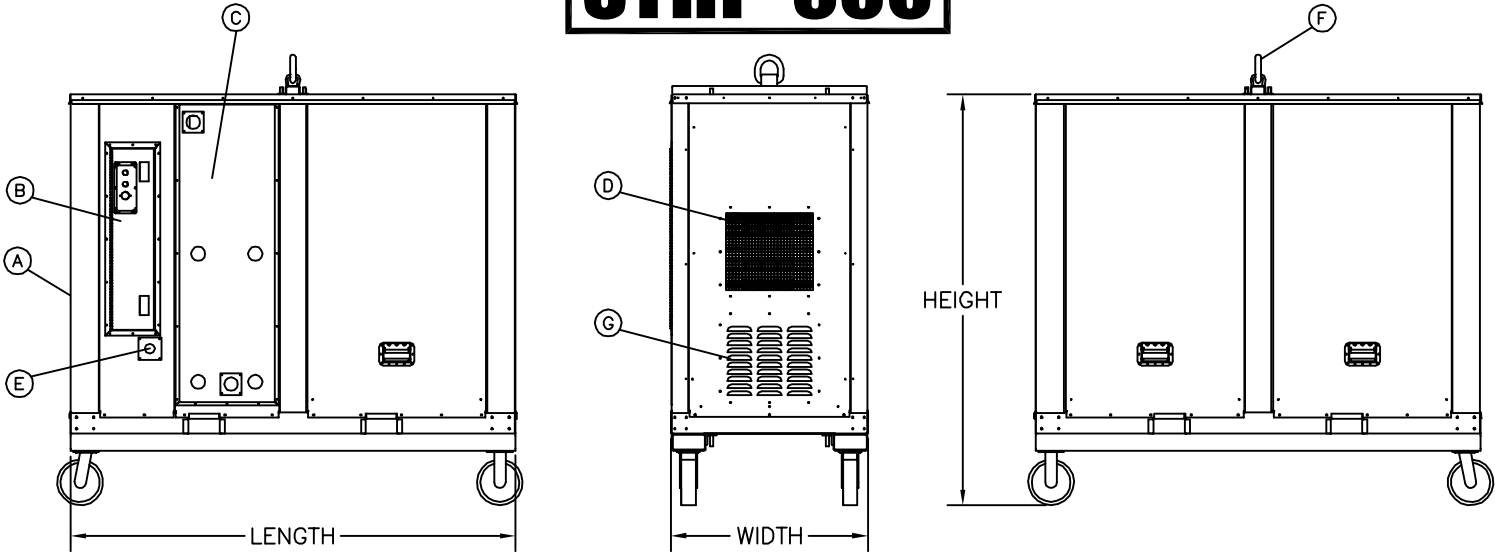




# TEMPAIR®

HVAC RENTAL SOLUTIONS

## STHP-900



### UNIT SPECIFICATIONS:

POWER SUPPLY: 230V/1PH/60HZ/17 MCA  
 208V-230V/3PH/60HZ/10 MCA  
 460V/3PH/60HZ/5 MCA

AIR DELIVERY: 4,200 CFM @ 1" W.C. ESP  
 5,000 CFM @ 0" W.C. ESP

BTU STEAM: 900,000 @ 0 F°

STEAM INLET PRESSURE RANGE: 15-150 PSIG

MAX STEAM TEMP: 366° F

CONNECTIONS: 2-1/2" NPT

- (A) INTAKE
- (B) ELECTRICAL BOX
- (C) COIL ACCESS
- (D) SUPPLY AIR
- (E) POWER INLET
- (F) LIFTING EYE
- (G) MOTOR ACCESS

### DIMENSIONS:

LENGTH: 78"  
 WIDTH: 35"  
 HEIGHT: 72"  
 WEIGHT: 1241 lb

### NOTE:

CONTACT TEMP-AIR FOR STEAM PRESSURES OVER 150 PSI.

DRAWN: JH	UPDATED: JH
DATE: 03/14/17	DATE: 06/06/17