

ESTD

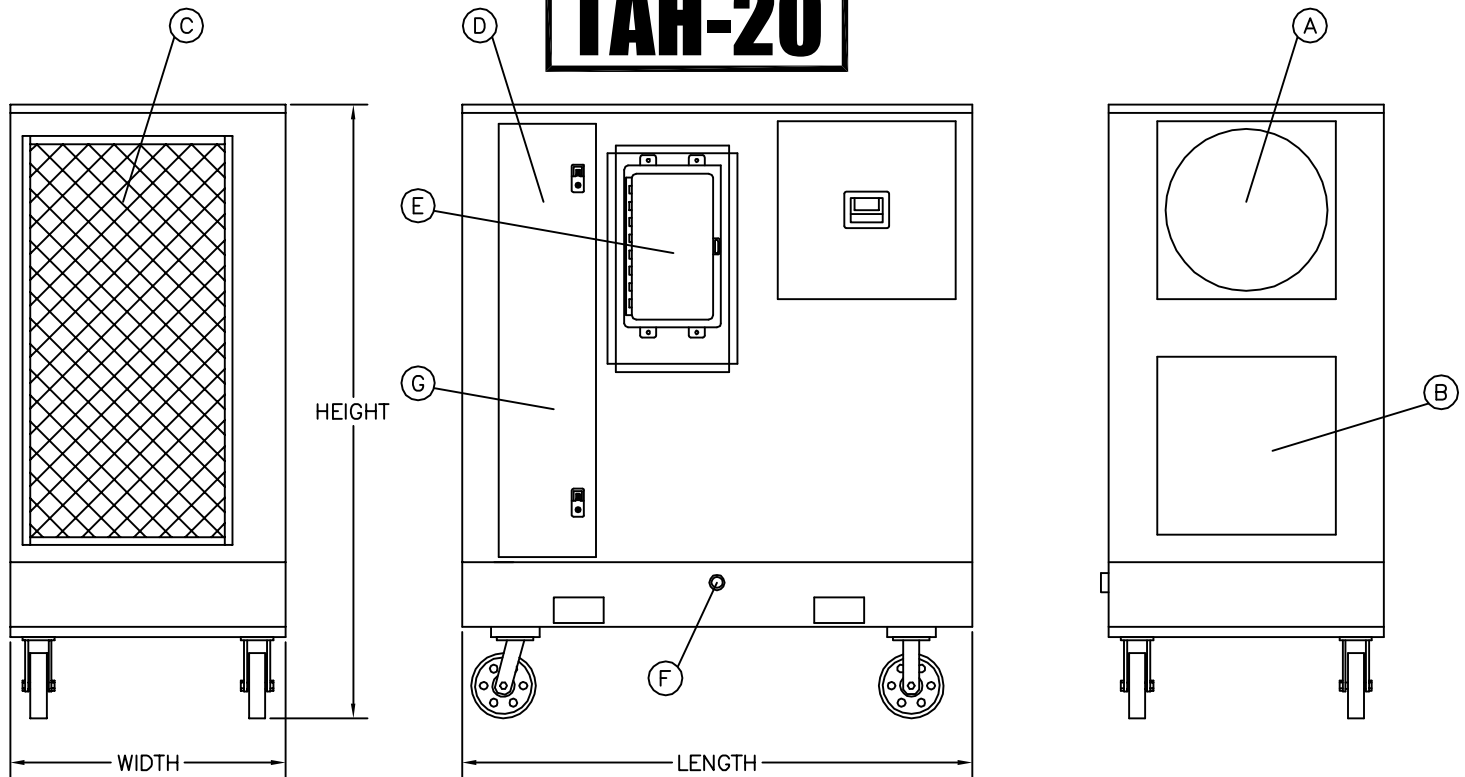


1965

TEMPAIR®

HVAC RENTAL SOLUTIONS

TAH-20



UNIT SPECIFICATIONS:

POWER SUPPLY: 230V/1PH/60HZ/15MCA
 208V-230V/3PH/60HZ/10MCA
 460V/3PH/60HZ/5MCA

AIR DELIVERY: 3,500 CFM

MAX ESP (IN W.C.): 0.63 @ 3500 CFM

RATING CONDITION: 90°F/50% R.H.

DRAIN CONNECTION: 1" NPT

- Ⓐ SUPPLY AIR ϕ 20"
- Ⓑ MOTOR SERVICE ACCESS
- Ⓒ RETURN AIR
- Ⓓ COIL SERVICE ACCESS
- Ⓔ ELECTRICAL SERVICE ACCESS
- Ⓕ CONDENSATE DRAIN CONNECTION
- Ⓖ WATER CONNECTIONS 2" NPT

DIMENSIONS:

LENGTH: 63"

WIDTH: 34"

HEIGHT: 76"

WEIGHT: 1372 lb

DRAWN: ACJ	UPDATED: JH
DATE: 02/07/02	DATE: 12/30/16